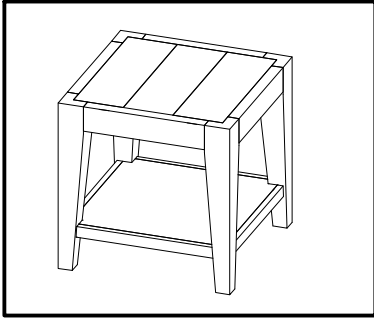







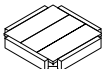

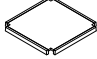
# ASSEMBLY INSTRUCTION #3148-E



## HARDWARE LIST

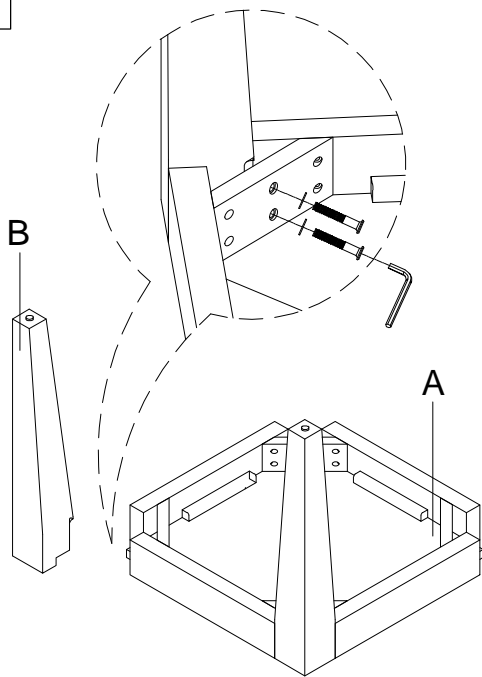
NO	SKETCH	HARDWARE	QTY
1		JCBC M8 x 60	12 pcs
2		Flat Washer M8	12 pcs
3		Allen Key	1 pc

## PART LIST

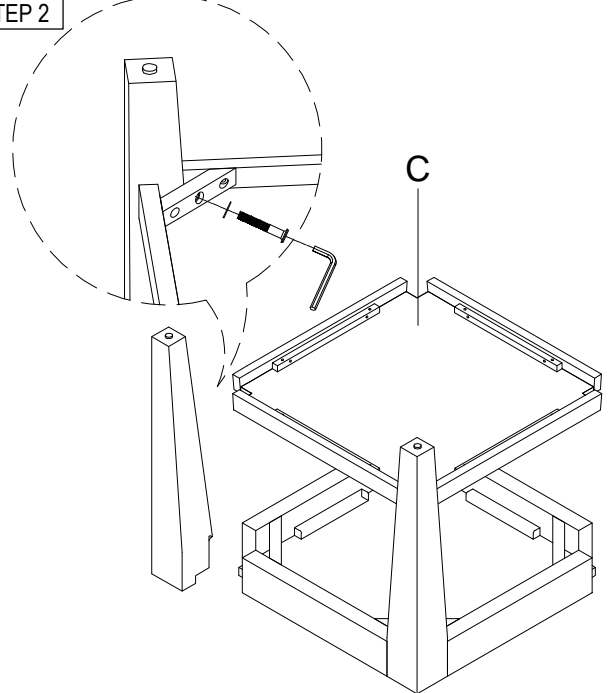
NO	DESCRIPTION	SKETCH	QTY
A	Top		1 pc
B	Leg		4 pcs
C	Shelf		1 pc

## ASSEMBLY STEP

STEP 1



STEP 2



STEP 3

