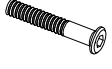




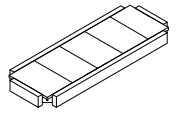



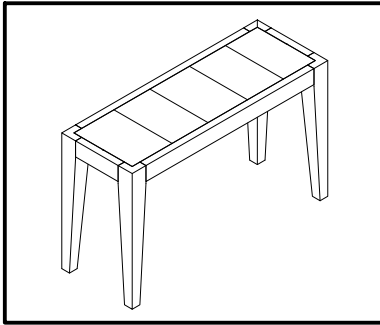
ASSEMBLY INSTRUCTION #3148-C

HARDWARE LIST

NO	SKETCH	HARDWARE	QTY
1		JCBC M8 x 60	8 pcs
2		Flat Washer M8	8 pcs
3		Allen Key	1 pc

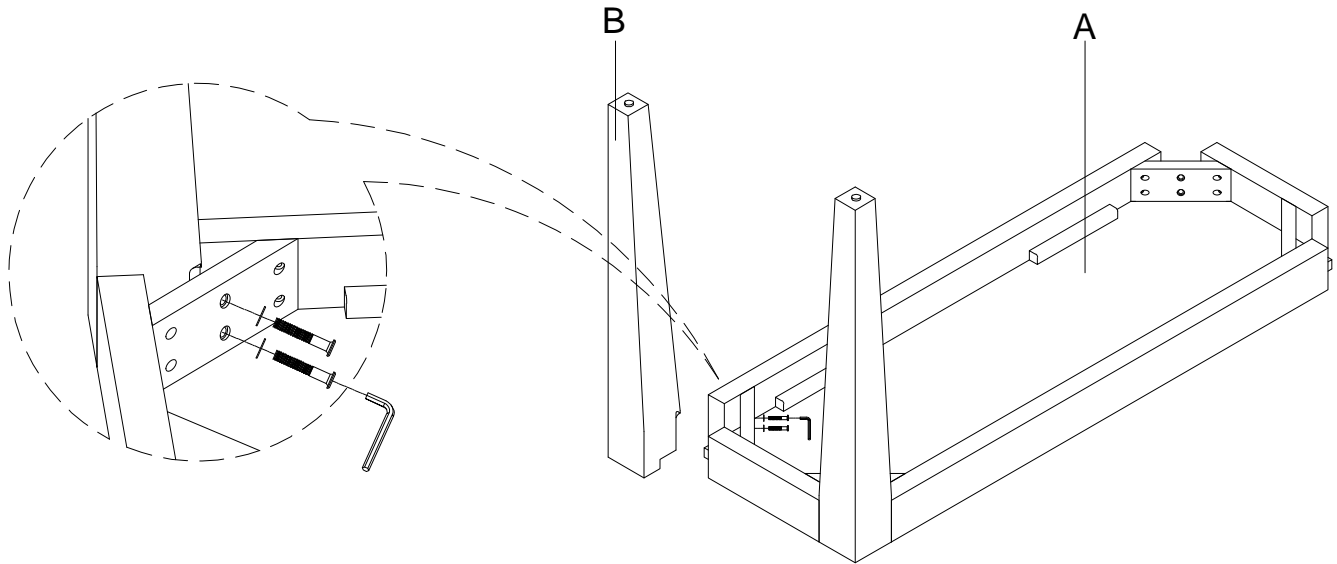
PART LIST

NO	DESCRIPTION	SKETCH	QTY
A	Top		1 pc
B	Leg		4 pcs



ASSEMBLY STEP

STEP 1



STEP 2

