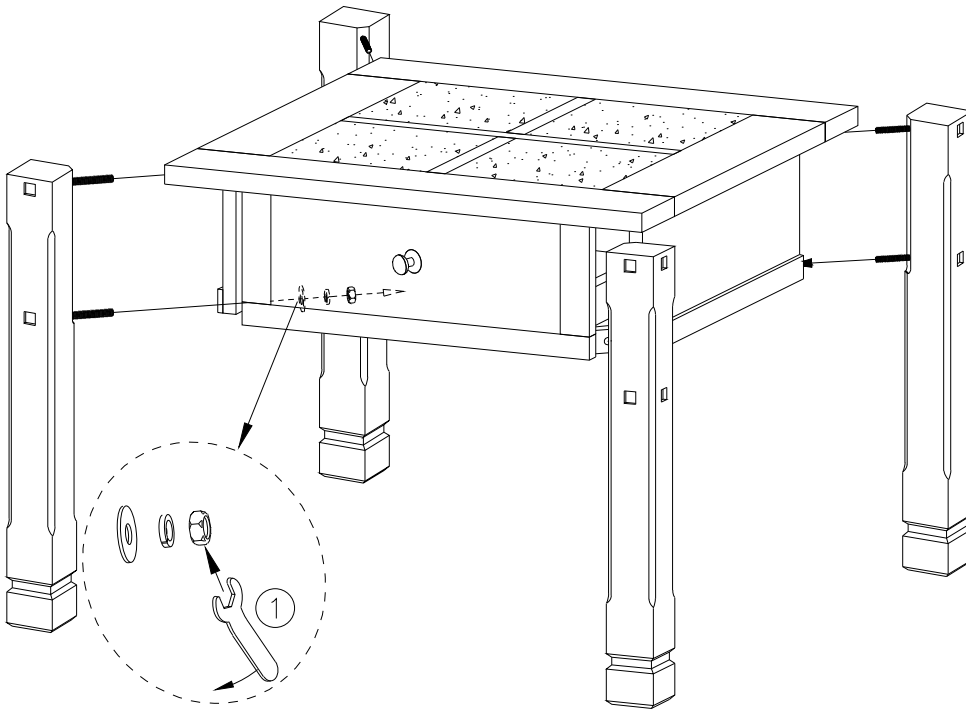



**#3143-E Assembly Instruction**

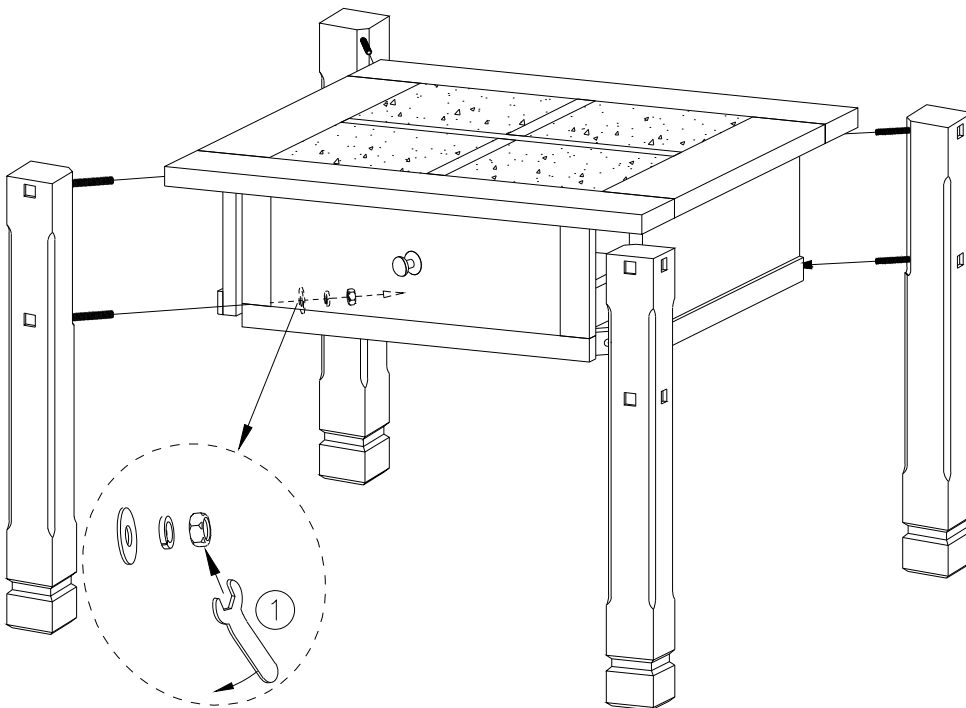


Hardware List

No.	Description	QTY
①		1pc

Note:  
Before Assembly, please open Hexagonal Nut,  
spring washer and flat washer from leg.

**#3143-E Assembly Instruction**



Hardware List

No.	Description	QTY
①		1pc

Note:  
Before Assembly, please open Hexagonal Nut,  
spring washer and flat washer from leg.