



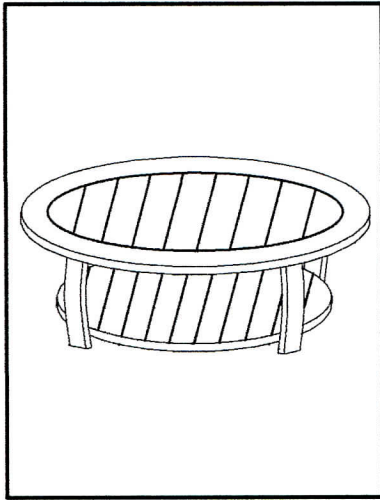
ASSEMBLY INSTRUCTION #3139-C

HARDWARE LIST

NO	SKETCH	HARDWARE	QTY
1		JCBC M6 x 20	16 pcs
2		Spring Washer M6	16 pcs
3		Flat Washer	16 pcs
4		Allen Key	1 pc

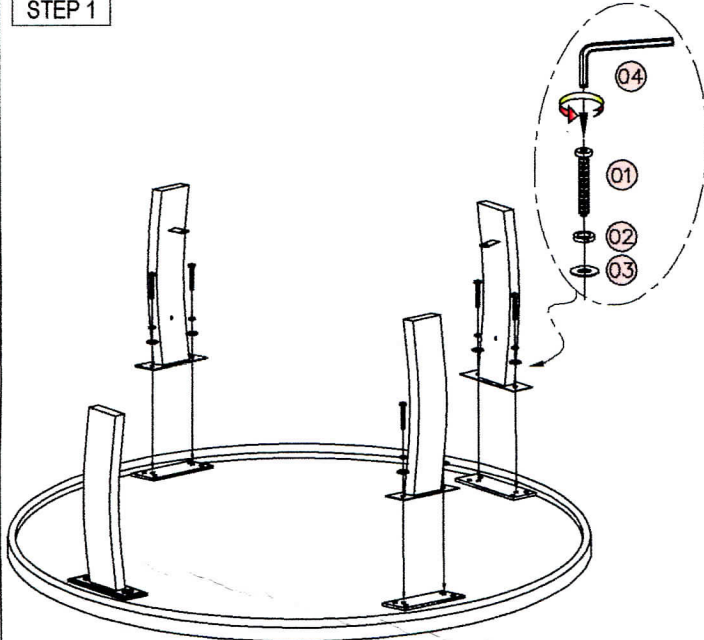
PART LIST

NO	DESCRIPTION	SKETCH	QTY
A	Top		1 pc
B	Legs		4 pcs
C	Stretcher		1 pc
D	Shelf		1 pc

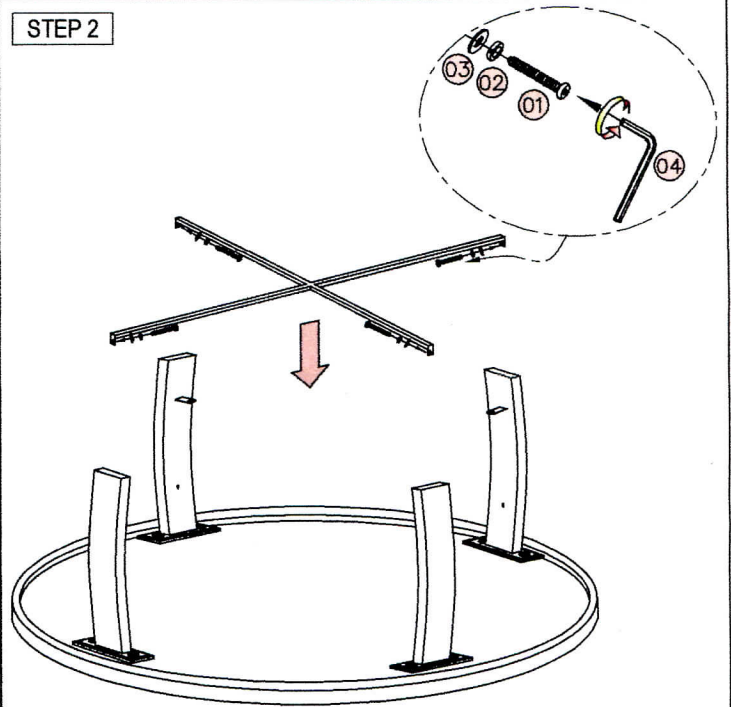


ASSEMBLY STEP

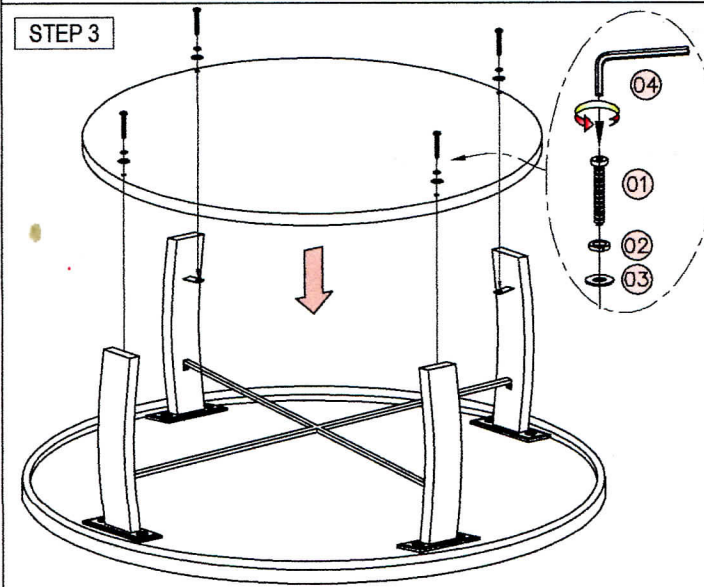
STEP 1



STEP 2



STEP 3



FINISH

