
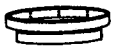
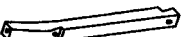

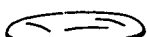



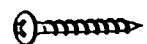



ASSEMBLY INSTRUCTION INSTRUCCIONES

2793C-24-GY / 2993C-29-GY (CHAIR)
2793C-24-GY / 2993C-29-GY (SILLA)

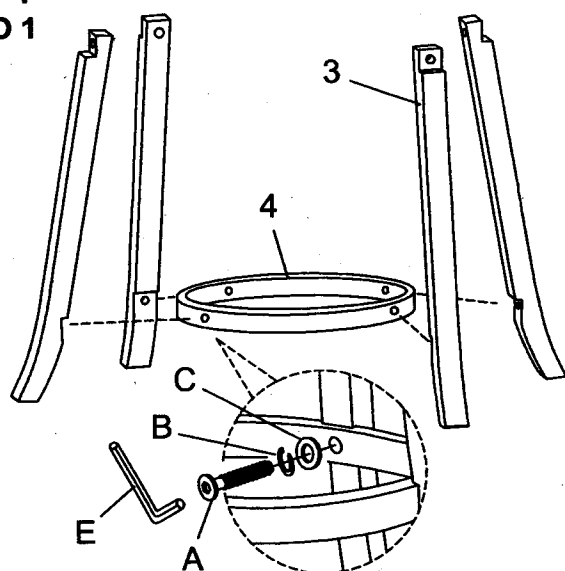
PARTS LIST LISTA DE PARTES

1		1 PC / PIEZA
2		1 PC / PIEZA
3		4 PCS / PIEZAS
4		1 PC / PIEZA
5		1 PC / PIEZA

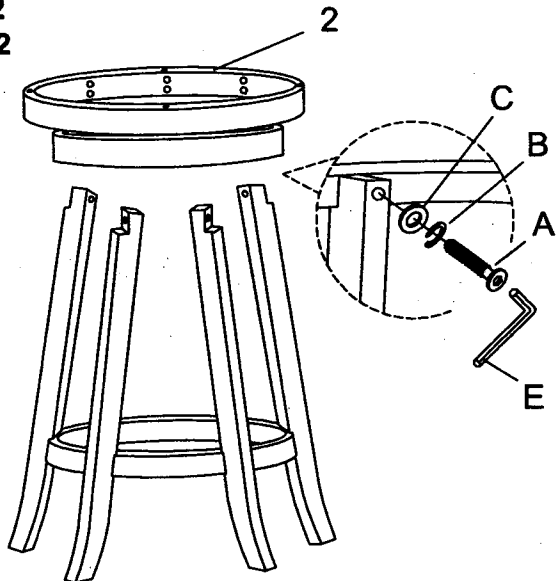
A		Ø1/4" x 20 x 1-1/2"	14 PCS / PIEZAS
B		Ø5/16" x 12mm	14 PCS / PIEZAS
C		Ø5/16" x 19mm	14 PCS / PIEZAS
D		1-1/2"	4 PCS / PIEZAS
E		5mm	1 PC / PIEZA

ASSEMBLY INSTRUCTION INSTRUCCIONES

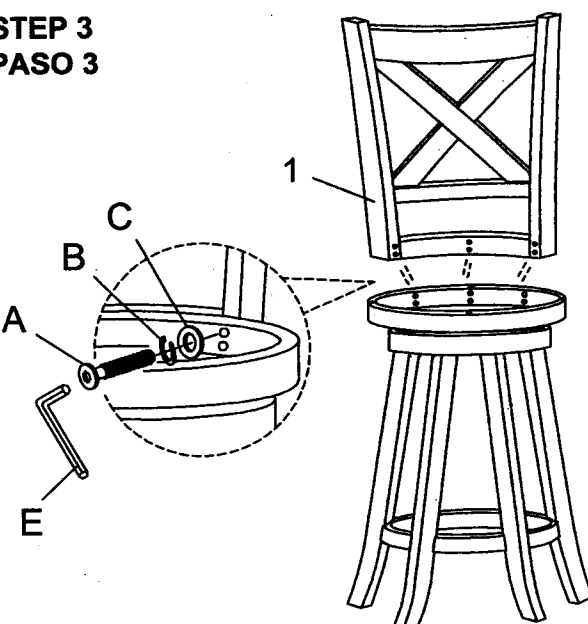
**STEP 1
PASO 1**



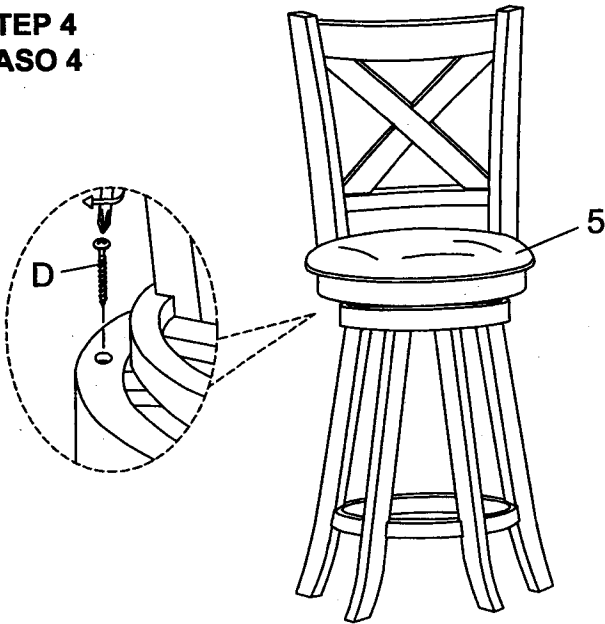
**STEP 2
PASO 2**



**STEP 3
PASO 3**



**STEP 4
PASO 4**



DO NOT TIGHTEN ALL BOLTS UNTIL COMPLETELY ASSEMBLED.
NO APRETAR LOS TORNILLOS HASTA ARMAR COMPLETAMENTE.

VERY IMPORTANT!!

CARING INSTRUCTIONS

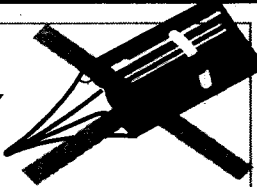
NEVER

USE GLASS CLEANERS ON FURNITURE COMPONENTS WHICH ARE NOT MADE OF GLASS

NEVER

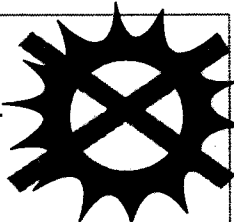
ALLOW ANY KIND OF LIQUID TO REMAIN ON YOUR FURNITURE ABSORPTION CAN CAUSE WOOD TO WARP OR FINISHES TO DE-LAMINATE

DO NOT WRITE DIRECTLY ON SURFACE



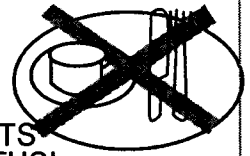
PREVENT MARKING

DO NOT PLACE IN DIRECT SUNLIGHT



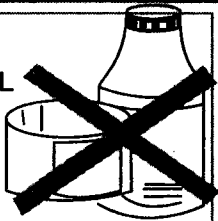
PREVENT FADING

DO NOT USE RUBBER-BASED PLACEMATS USE CLOTHS!



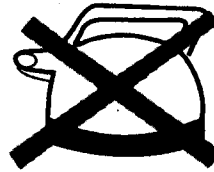
PREVENT DISCOLORING

DO NOT USE COMMERCIAL WAXES AND POLISHES



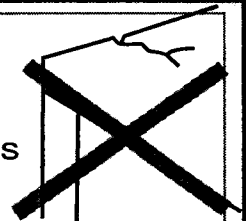
PREVENT YELLOWING

DO NOT PLACE HOT KETTLES POTS, ETC ON SURFACE



PREVENT DAMAGE TO FINISH!

MAINTAIN EVEN HUMIDITY CONDITIONS IN YOUR HOME



PREVENT SPLITTING

TO CLEAN

SIMPLY USE A SOFT CLOTH MOISTENED IN LUKEWARM SOAP & WATER THEN BUFF WITH A DRY CLEAN CLOTH!

