

ASSEMBLY INSTRUCTION
COUNTER HEIGHT TABLE
2848T-6060-TOP / 2848T-6060-LEG
2850LG-T-TOP / 2850LG-T-LEG

Thank you for purchasing this quality product. Be sure to check all packing material carefully for small parts which may have come loose inside the carton during shipment. Identify and count all parts and compare with the Parts List below.


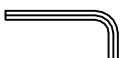
**Assemble the table on flat, soft surface such as carpet or cloth to prevent scratching table finish. Read all the instruction and study the drawings carefully before starting the assemble process.

Caution : Wipe up spills as soon as possible. Please wipe with dry rag right away.

PARTS LIST

NO	DESCRIPTION	QTY
1	TABLE TOP	1 PC
2	TABLE LEG	4 PCS
3	TABLE BASE	1 PC
4	SIDE PANEL	4 PCS
5	CENTER PANEL	2 PCS
6	SHELF PANEL	2 PCS
7	LAZY SUSAN	1 PC

HARDWARE LIST

NO	DESCRIPTION	QTY
A	 JCBB SCREW (NYLOK) 5/16" x 2 1/2" WITH LOCK WASHER & WASHER	8
B	 ALLEN KEY M4	1

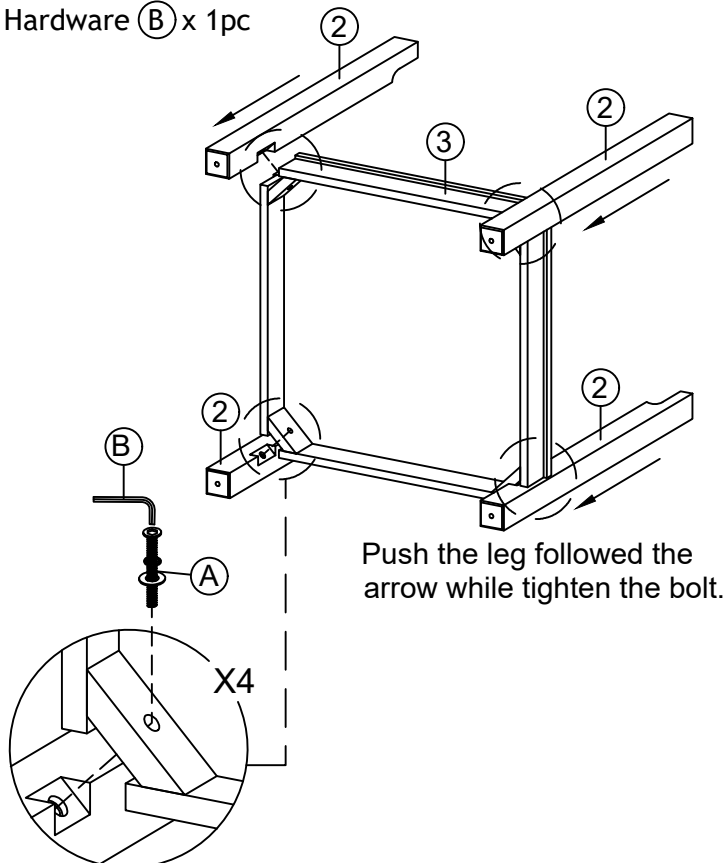
STEP 1

Part ② x 4pcs

Part ③ x 1pc

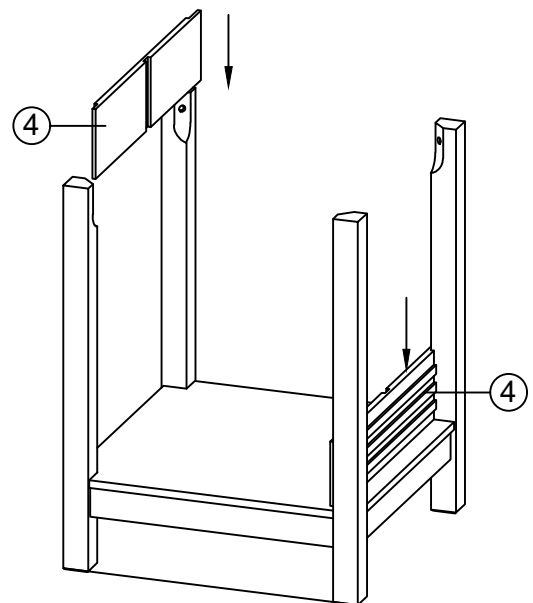
Hardware ① x 4pcs

Hardware ② x 1pc



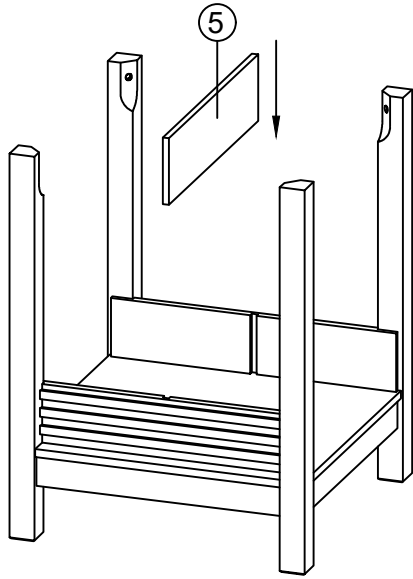
STEP 2

Part ④ x 2pcs



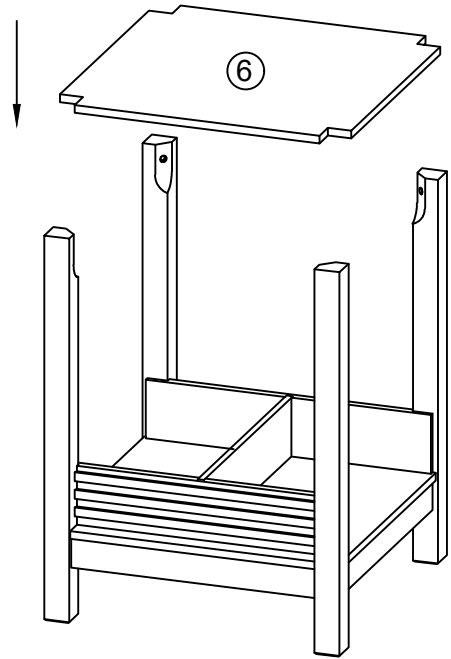
STEP 3

Part ⑤ x 1pc



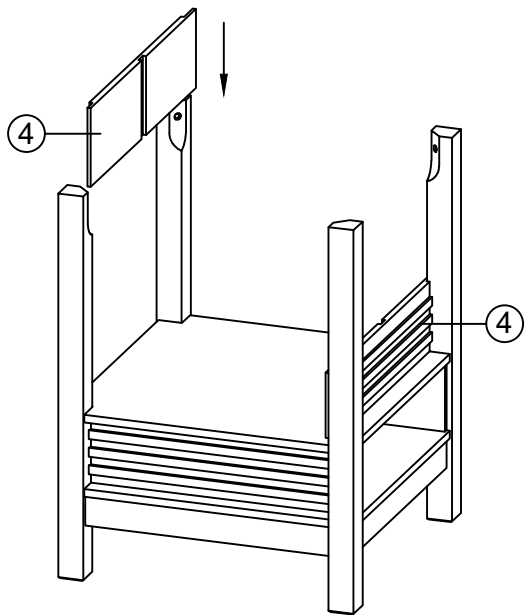
STEP 4

Part ⑥ x 1pc



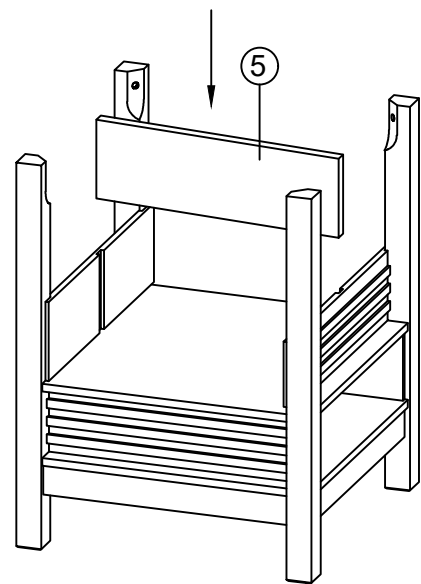
STEP 5

Part ④ x 2pcs



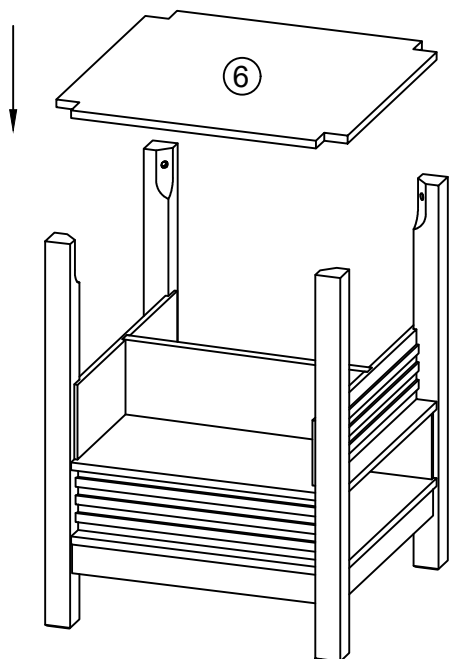
STEP 6

Part ⑤ x 1pc



STEP 7

Part ⑥ x 1pc

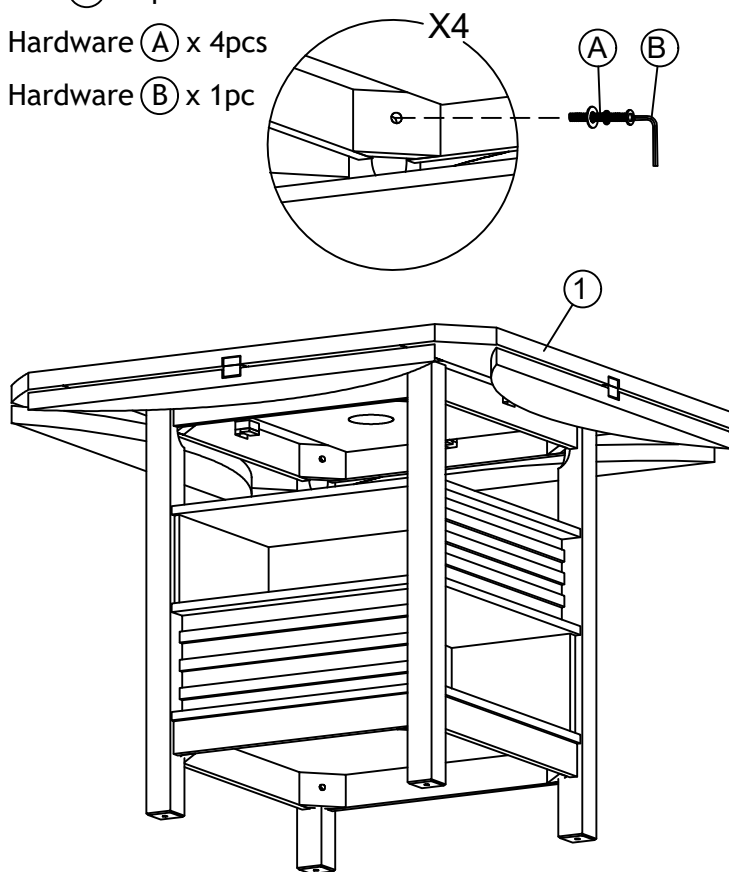


STEP 8

Part ① x 1pc

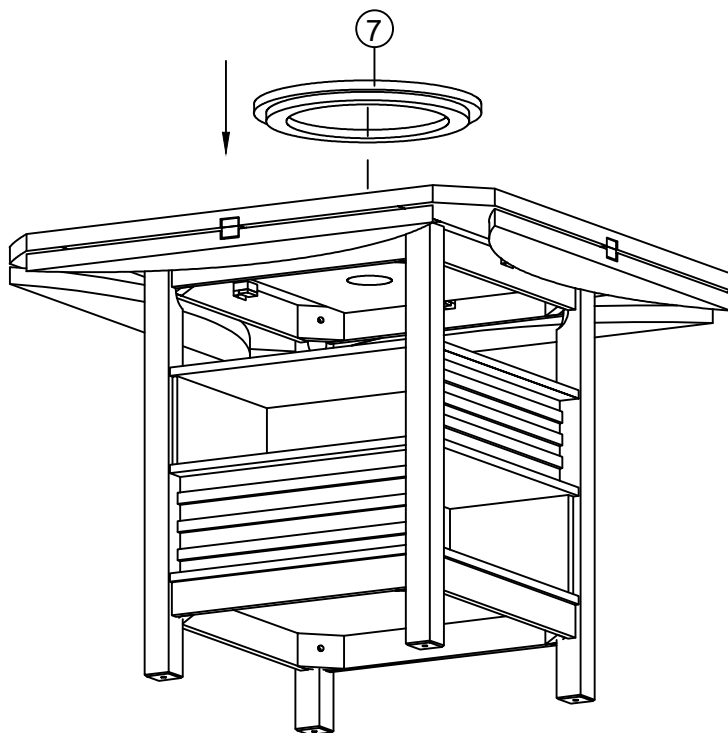
Hardware ① x 4pcs

Hardware ② x 1pc

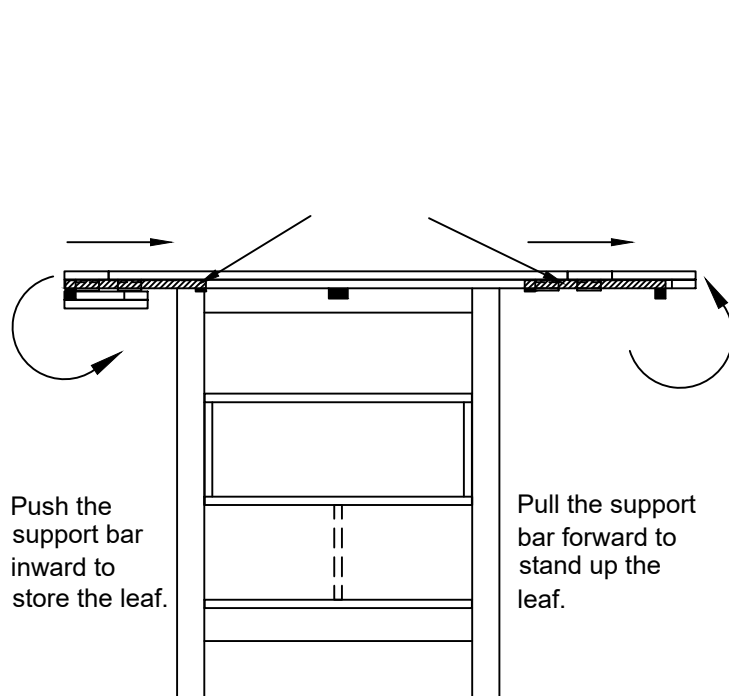


STEP 9

Part ⑦ x 1pc



STEP 10



Push the support bar inward to store the leaf.

Pull the support bar forward to stand up the leaf.

Removable Lazy Susan

To remove the lazy susan (for cleaning purpose), push from the hole underneath of the mounted board.