

**ASSEMBLY INSTRUCTION**  
**COUNTER HEIGHT TABLE**  
**2849T-6060-TOP / 2849T-6060-LEG**  
**2849CG-T-TOP / 2849-T-LEG**

Thank you for purchasing this quality product. Be sure to check all packing material carefully for small parts which may have come loose inside the carton during shipment. Identify and count all parts and compare with the Parts List below.




\*\*Assemble the table on flat, soft surface such as carpet or cloth to prevent scratching table finish. Read all the instruction and study the drawings carefully before starting the assemble process.

Caution : Wipe up spills as soon as possible. Please wipe with dry rag right away.

**PARTS LIST**

| NO                       | DESCRIPTION            | QTY |
|--------------------------|------------------------|-----|
| Box 1: Box of Table Top  |                        |     |
| 1                        | TABLE TOP              | 1   |
| 2                        | TABLE LEG              | 4   |
| Box 2: Box of Table Base |                        |     |
| 3                        | TABLE BASE             | 1   |
| 4                        | PARTITION PANEL        | 1   |
| 5                        | WINE RACK BOTTOM PANEL | 1   |
| 6                        | WINE RACK SIDE PANEL   | 2   |
| 7                        | WINE RACK CENTER PANEL | 1   |
| 8                        | WINE RACK DIVIDER      | 3   |
| 9                        | SHELF PANEL            | 1   |
| 10                       | LAZY SUSAN             | 1   |

Box 1: Box of Table Top

| NO | DESCRIPTION   | QTY |
|----|---|-----|
| A  |  JCBC SCREW (NYLOK) 5/16" x 2 1/2" WITH LOCK WASHER & WASHER | 8   |
| B  |  ALLEN KEY M4  | 1   |
| C  |  CSK SCREW M3.5 x 16MM                                       | 4   |

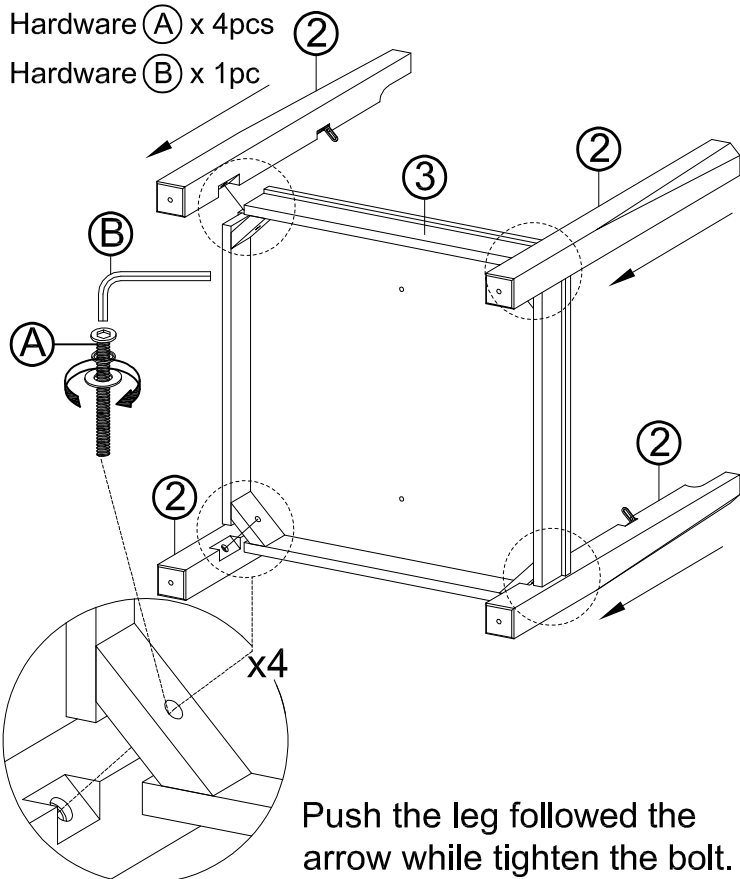
**STEP 1**

Part ② x 4pcs

Part ③ x 1pc

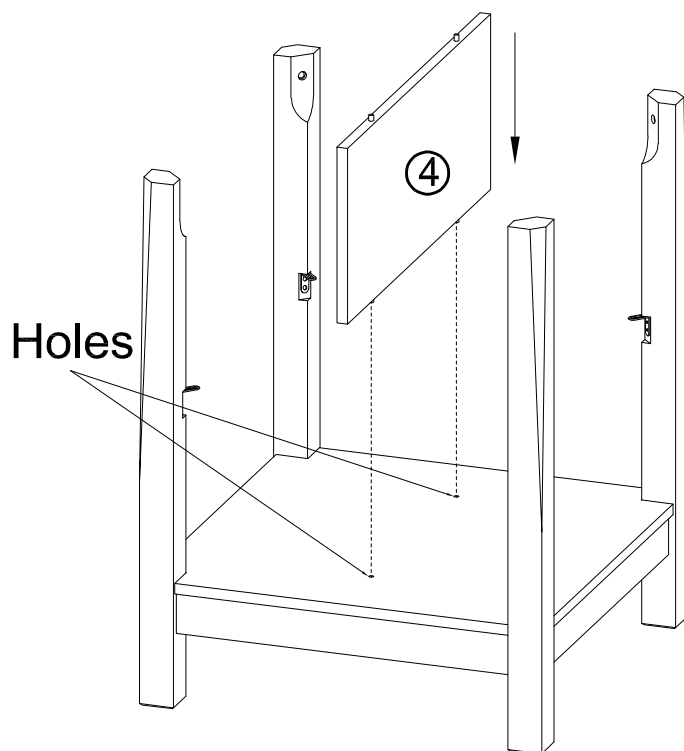
Hardware ① x 4pcs

Hardware ② x 1pc



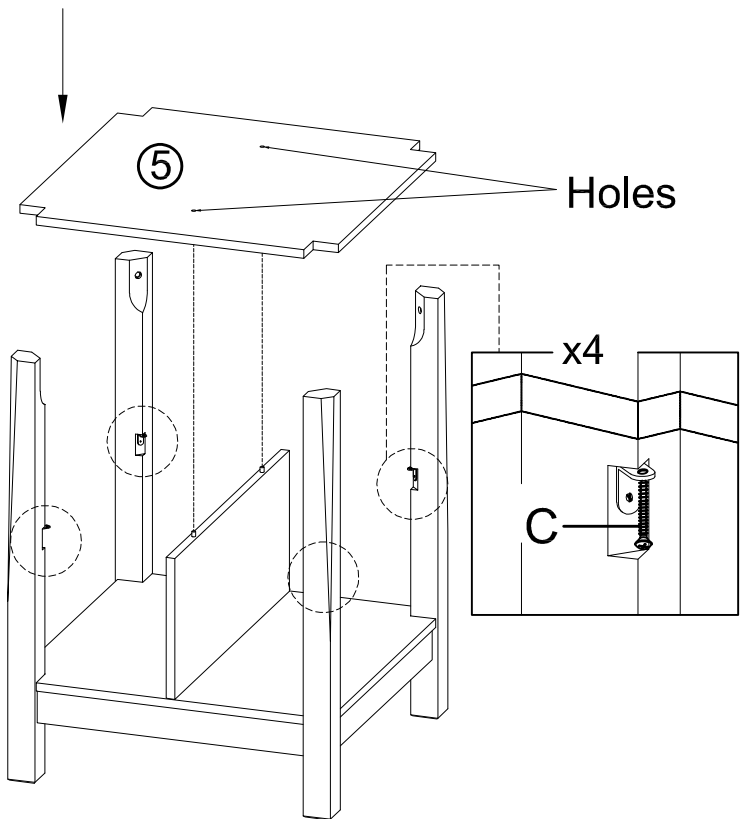
**STEP 2**

Part ④ x 1pc



**STEP 3**

Part ⑤ x 1pc

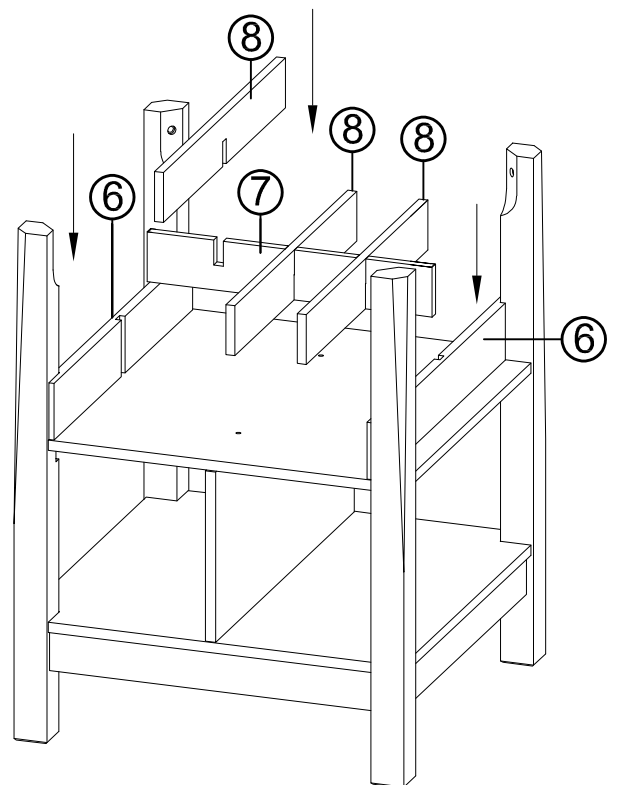


**STEP 4**

Part ⑥ x 2pcs

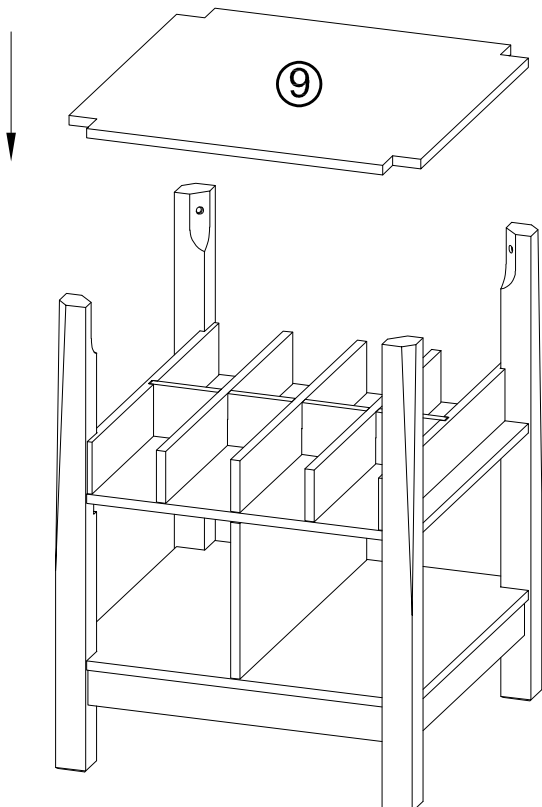
Part ⑦ x 1pc

Part ⑧ x 3pcs



**STEP 5**

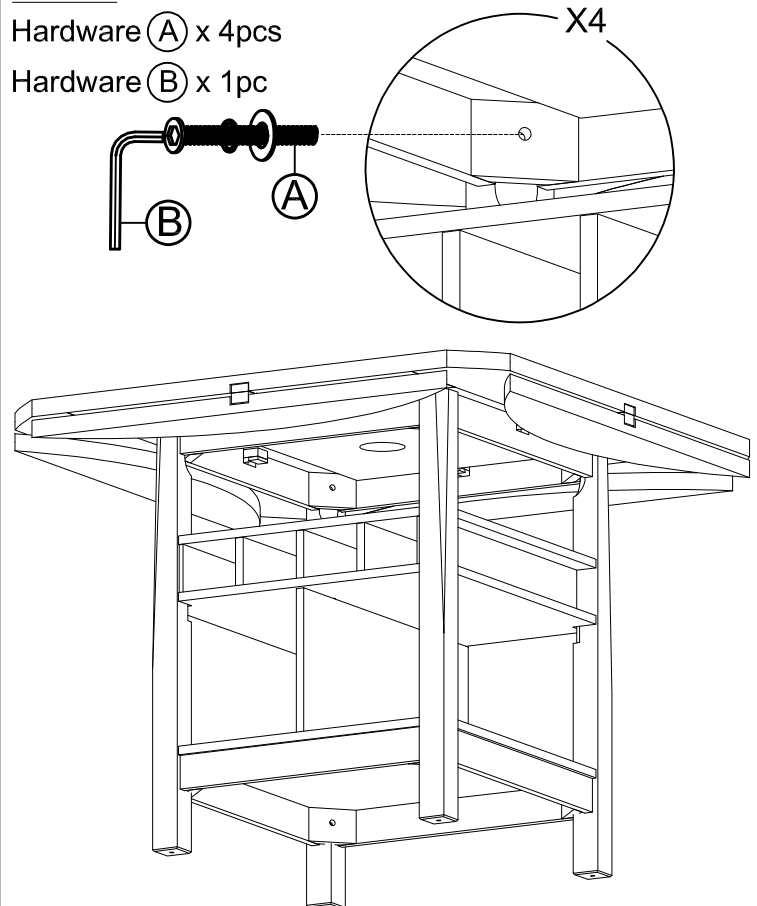
Part ⑨ x 1pc



**STEP 6**

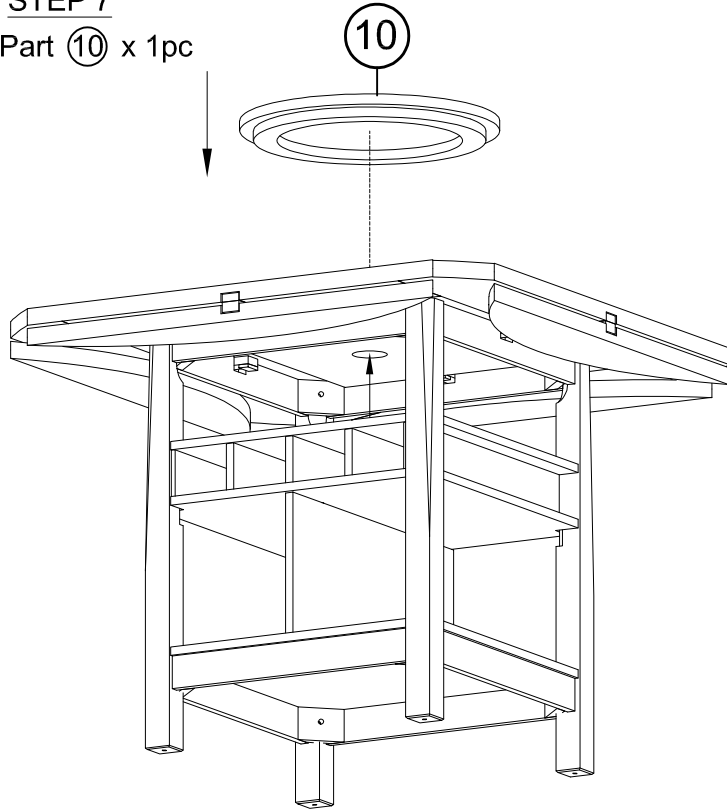
Hardware ① x 4pcs

Hardware ② x 1pc



**STEP 7**

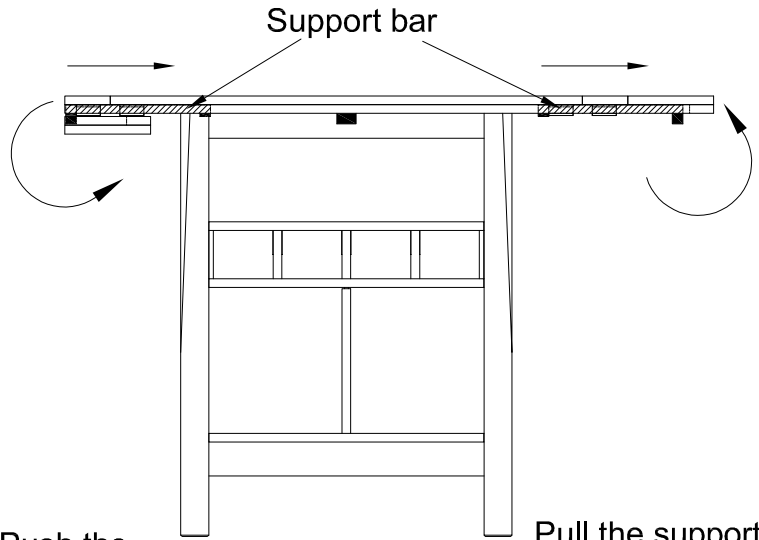
Part ⑩ x 1pc



**Removable Lazy Susan**

To remove the lazy susan (for cleaning purpose), push from the hole underneath of the mounted board.

**STEP 8**



Push the support bar inward to store the leaf.

Pull the support bar forward to stand up the leaf.

