



ASSEMBLY INSTRUCTION #2836-B

HARDWARE LIST

NO	SKETCH	DESCRIPTION	QTY
1		JCBC M6 x 35	2 Pcs
2		JCN M6 x 15	2 Pcs
3		JCBC M6 x 20	2 Pcs
4		L key	1 Pc
5		Screw 8 x 32	5 Pcs

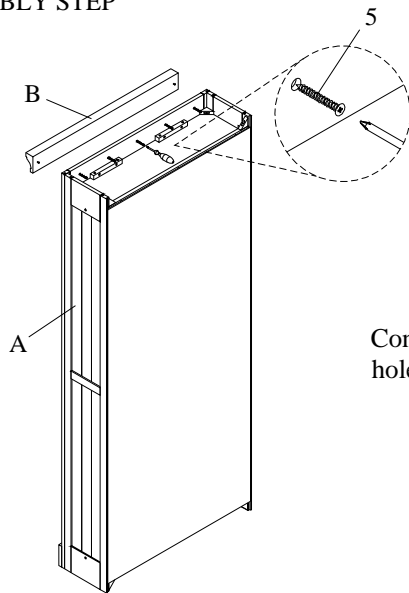
PART LIST

NO	SKETCH	DESCRIPTION	QTY
A		Item body	1 Pc
B		Wood top frame	1 Pc
C		Metal top frame	1 Pc

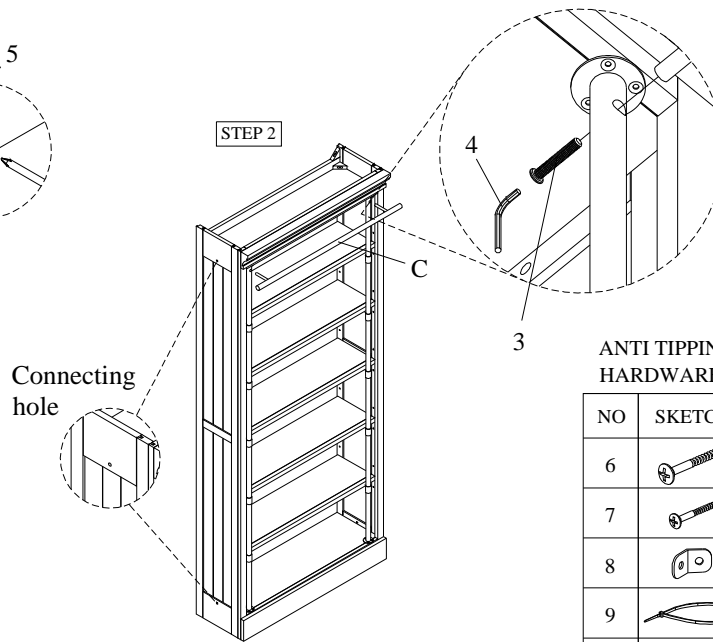
YOU CAN USE STEP 4, IF YOU HAVE 2 ITEM OR MORE

ASSEMBLY STEP

STEP 1



STEP 2

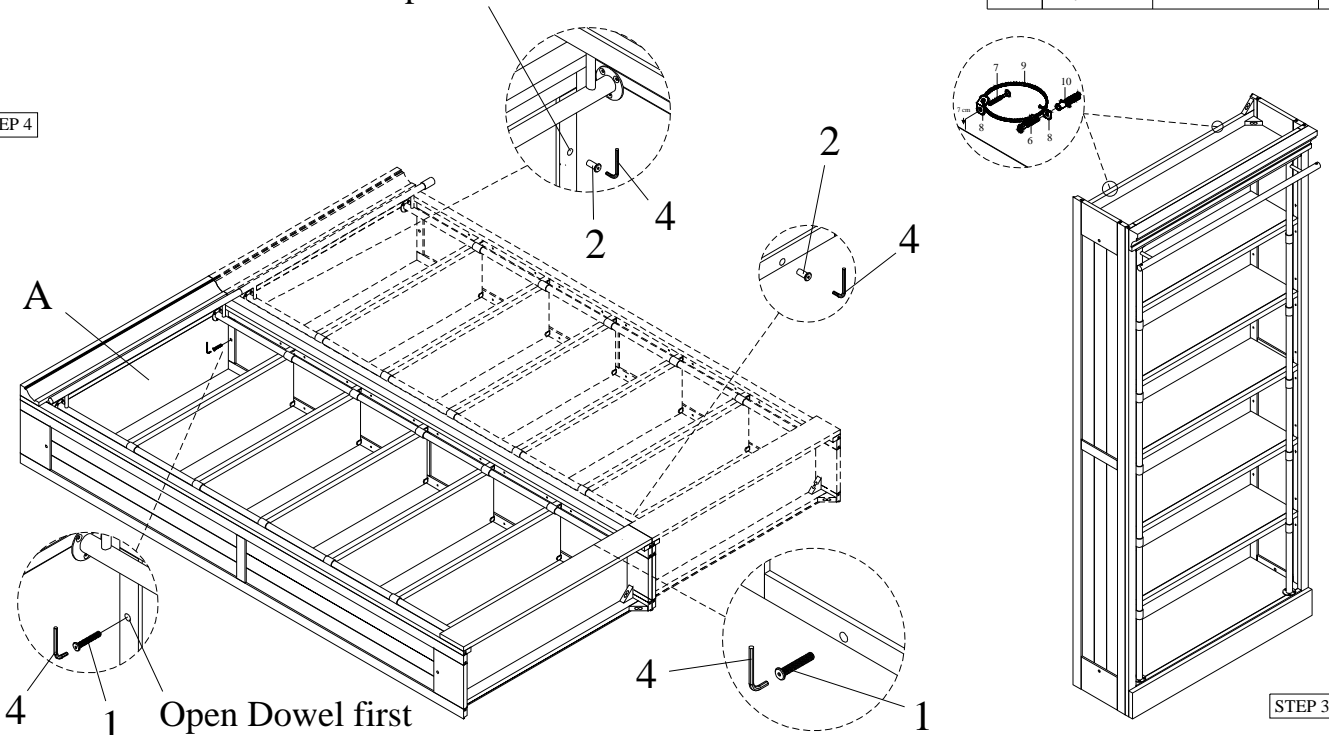


ANTI TIPPING HARDWARE LIST

NO	SKETCH	HARDWARE	QTY
6		Screw Ø8 x 2"	2 Pcs
7		Screw Ø8 x 3/4"	2 Pcs
8		Metal Anchor	4 Pcs
9		Restrainer Strap	2 Pcs
10		Fischer	2 Pcs

Open Dowel first

STEP 4



STEP 3