



ASSEMBLY INSTRUCTIONS #2833

HARDWARE LIST

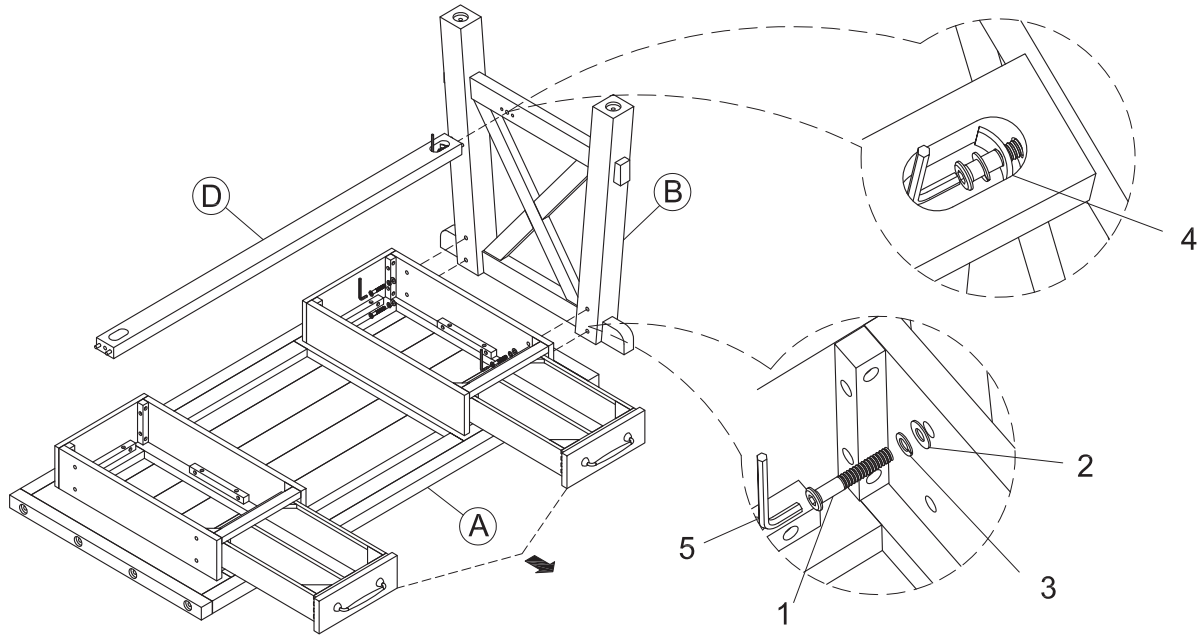
NO	SKETCH	HARDWARE	QTY
1		JCBC M8 x 40mm	10 pcs
2		Flat Washer	8 pcs
3		Spring Washer	10 pcs
4		Halfmoon Washer	2 pcs
5		Allen Key	1 pc

PART LIST

NO	DESCRIPTION	SKETCH	QTY
A	Top		1 pc
B	Leg-A		1 pc
C	Leg-B		1 pc
D	Stretcher		1 pc

ASSEMBLY STEP

STEP 1



STEP 2

