


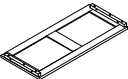

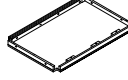
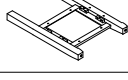
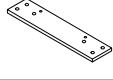
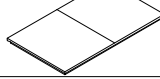
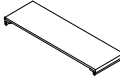
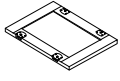


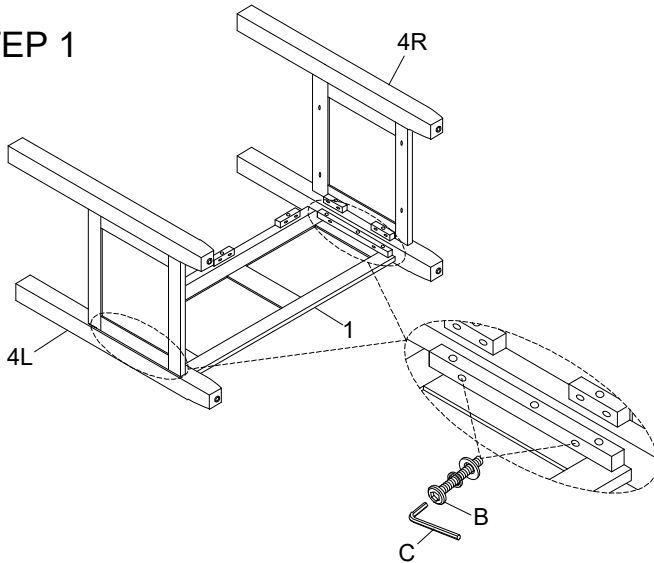
ASSEMBLY INSTRUCTION INSTRUCCIONES

2773LG-T-4272 (COUNTER HIGH TABLE)
2773LG-T-4272 (MESA ALTA DE MOSTRADOR)

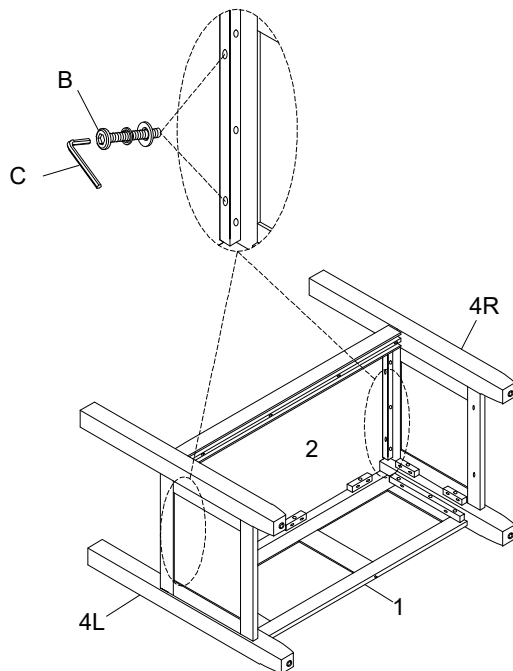
HARDWARE PACK			
A		BOLT (Ø5/16" x 18 x 2") (Connect board)	12PCS
B		BOLT (Ø1/4" x 20 x 1-1/2") (Back/ Top & Bottom panel)	12PCS
C		ALLEN KEY (4MM)	1PC

PARTS			
1		BACK PANEL	1PC
2		TOP PANEL	1PC
3		BOTTOM PANEL	1PC
4		TABLE LEGS (L&R)	2PCS
5		CONNECT BOARD	2PCS
6		TABLE TOP	1PC
7		LEAF	1PC
8		DOOR	2PCS

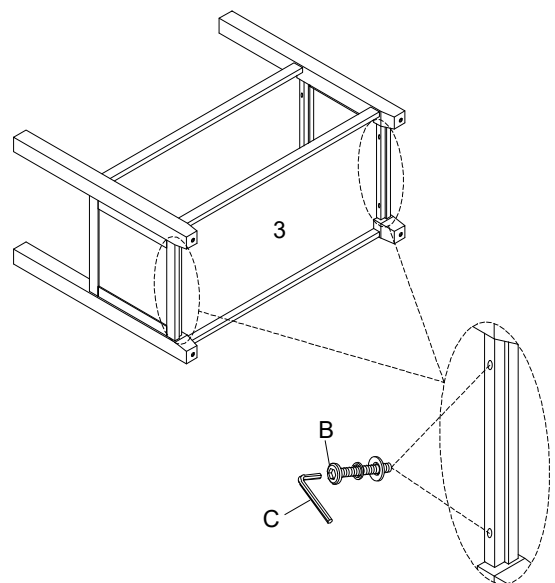
STEP 1



STEP 2



STEP 3



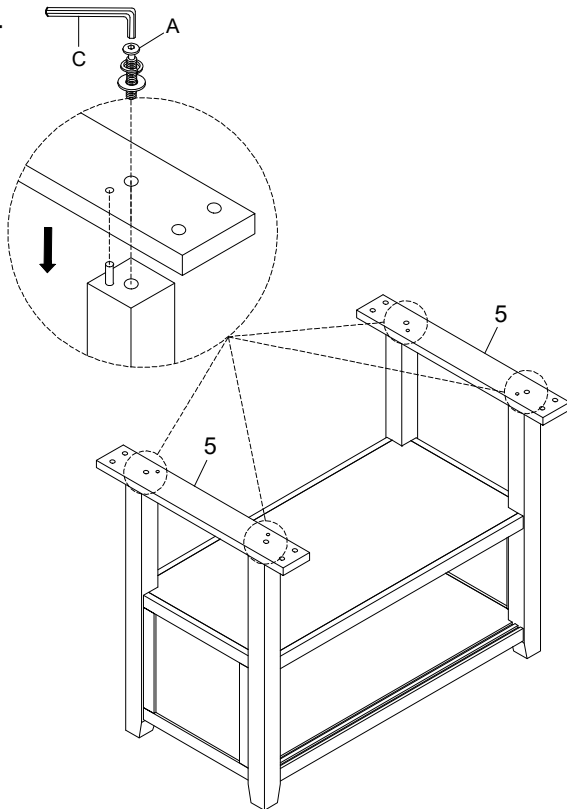
DO NOT TIGHTEN ALL BOLTS UNTIL COMPLETELY ASSEMBLED !
NO APRETER LOS TORNILLOS HASTA ARMAR COMPLETAMENTE

ASSEMBLY INSTRUCTION INSTRUCCIONES

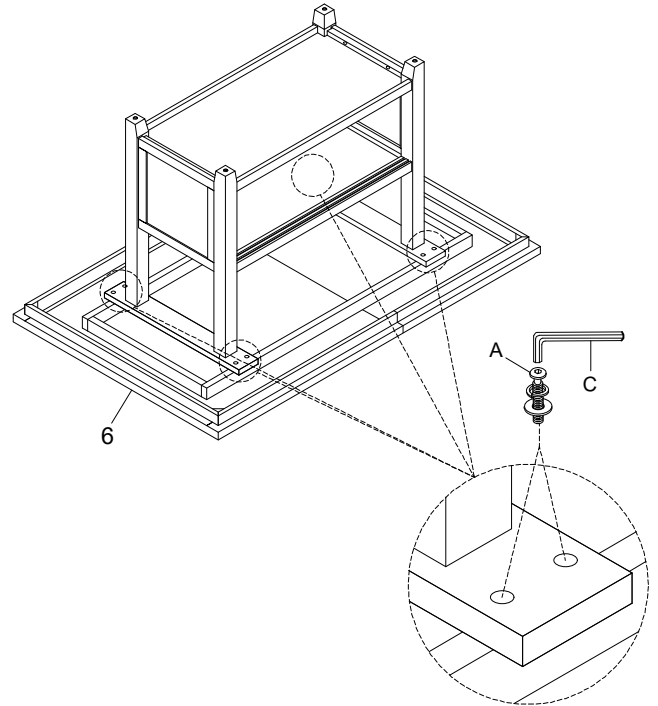
2773LG-T-4272 (COUNTER HIGH TABLE)

2773LG-T-4272 (MESA ALTA DE MOSTRADOR)

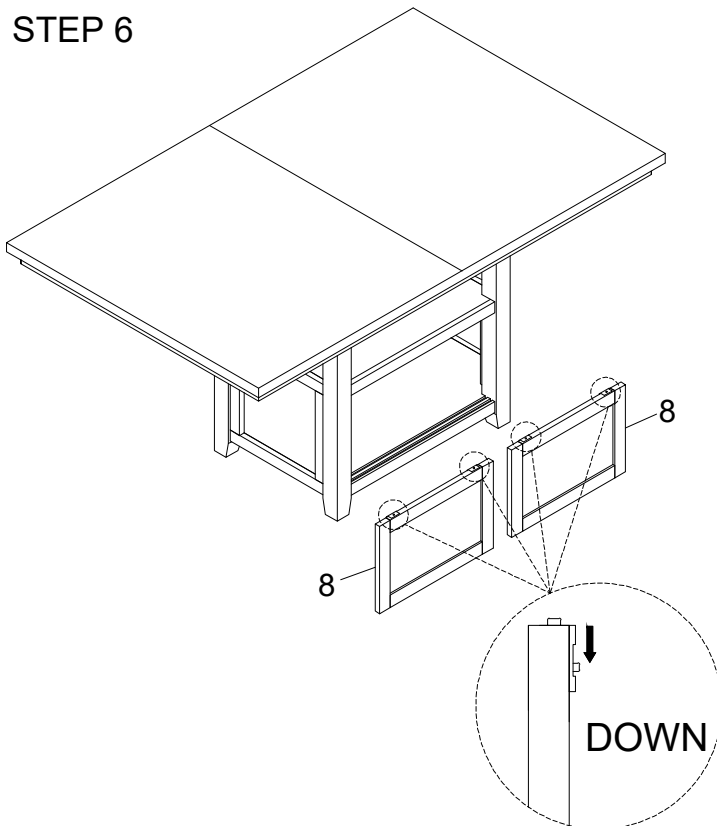
STEP 4



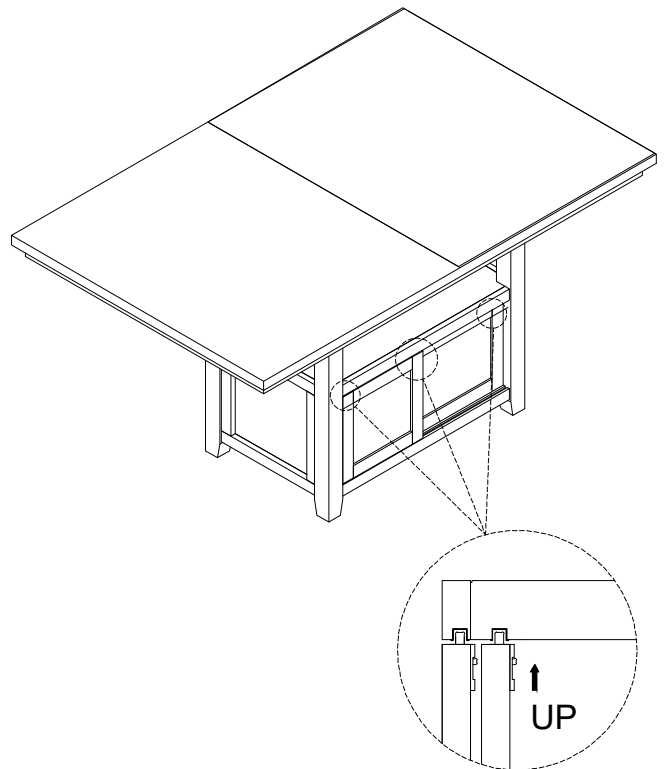
STEP 5



STEP 6



STEP 7



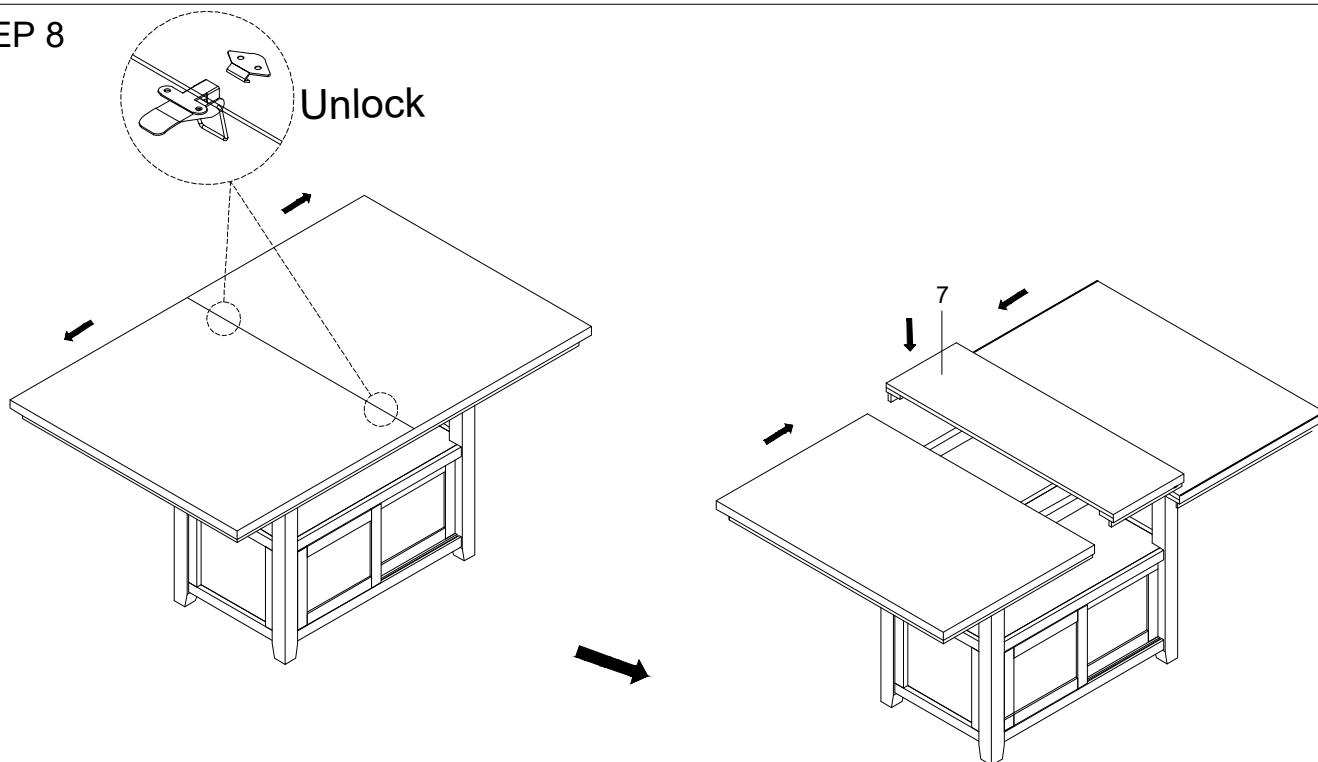
DO NOT TIGHTEN ALL BOLTS UNTIL COMPLETELY ASSEMBLED !
NO APRETER LOS TORNILLOS HASTA ARMAR COMPLETAMENTE

ASSEMBLY INSTRUCTION INSTRUCCIONES

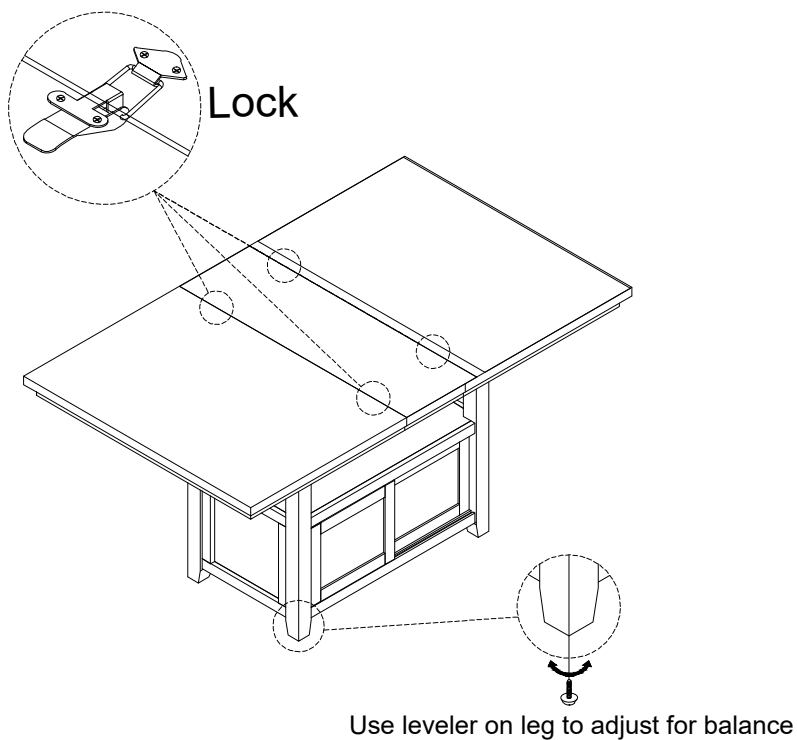
2773LG-T-4272 (COUNTER HIGH TABLE)

2773LG-T-4272 (MESA ALTA DE MOSTRADOR)

STEP 8



STEP 9 FINISH



DO NOT TIGHTEN ALL BOLTS UNTIL COMPLETELY ASSEMBLED !
NO APRETER LOS TORNILLOS HASTA ARMAR COMPLETAMENTE