






ASSEMBLY INSTRUCTION INSTRUCCIONES




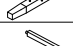



2773LG-S-24 (COUNTER HIGH TABLE)

2773LG-S-24 (MESA ALTA DE MOSTRADOR)

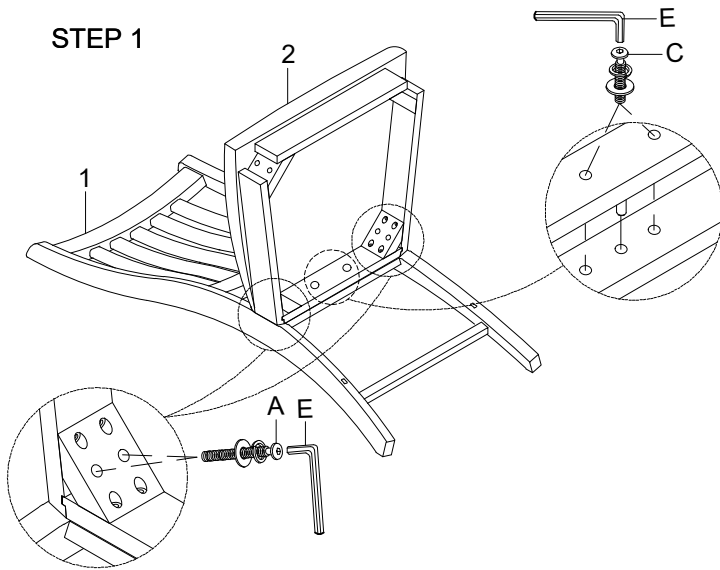
HARDWARE LIST / LISTA DE TORNILLO

A		BOLT (Ø1/4" x 20 x 3-1/8") (Chair back leg corner)	4PCS
B		BOLT (Ø1/4" x 20 x 2-3/8") (Front leg)	4PCS
C		BOLT (Ø1/4" x 20 x 1-1/2") (Chair back center)	2PCS
D		SCREW (#8x45mm)	6PCS
E		ALLEN KEY (4mm)	1PC

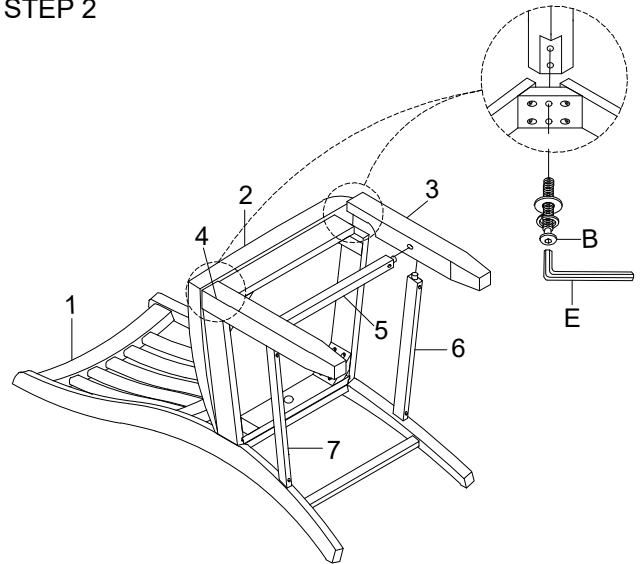
PARTS LIST / LISTA DE PARTES

1		CHAIR BACK	1PC
2		CUSHION WITH SEAT FRAME	1PC
3		RIGHT FRONT LEG	1PC
4		LEFT FRONT LEG	1PC
5		FONT STRETCHER	1PC
6		RIGHT STRETCHER	1PC
7		LEFT STRETCHER	1PC

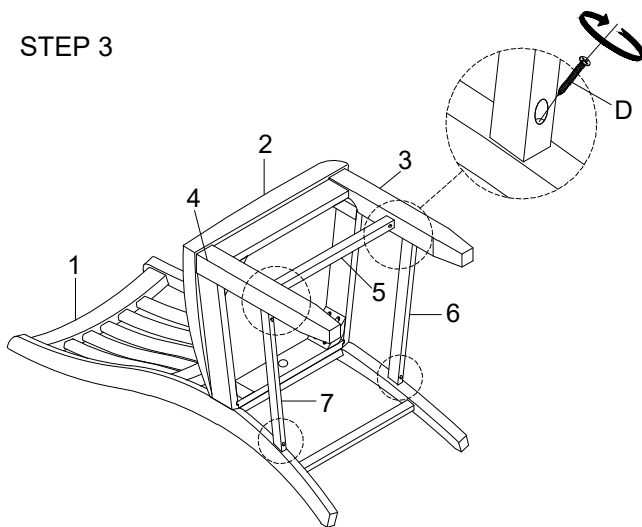
STEP 1



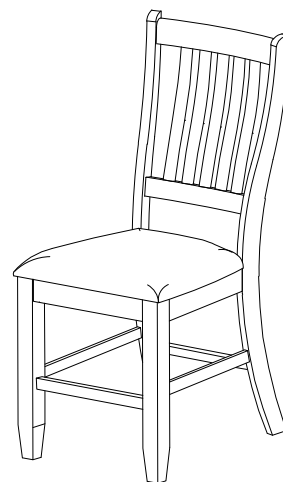
STEP 2



STEP 3



FINISH



**DO NOT TIGHTEN ALL BOLTS UNTIL COMPLETELY ASSEMBLED !
NO APRETER LOS TORNILLOS HASTA ARMAR COMPLETAMENTE**