


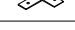








# ASSEMBLY INSTRUCTION INSTRUCCIONES

2773LG-BENCH (COUNTER HIGH BENCH)  
2773LG-BENCH (BANCA ALTA DE MOSTRADOR)

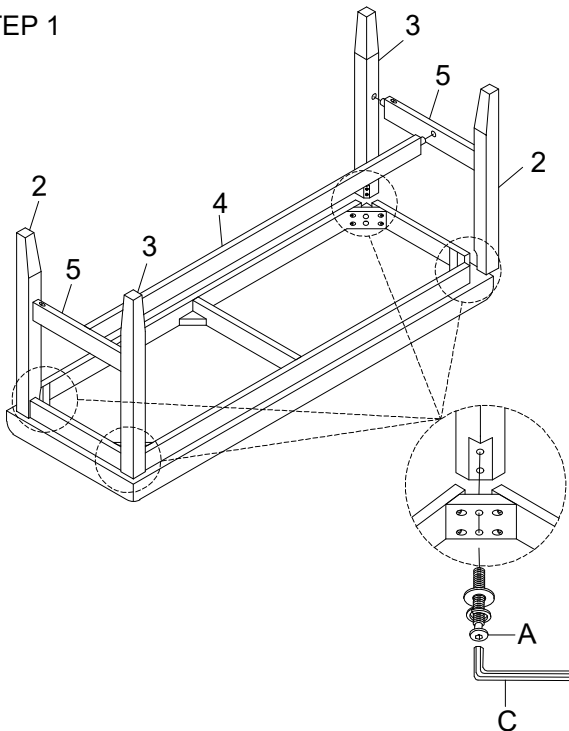
## HARDWARE LIST / LISTA DE TORNILLO

A		BOLT (Ø1/4" x 20 x 2-3/8")	8PCS
B		SCREW (#8x45mm) (Short stretcher)	4PCS
C		ALLEN KEY ( 4mm )	1PC
D		TRIANGULAR IRON (50*40*2mm)	2PCS
E		SCREW (#3x15mm) (Long stretcher)	6PCS

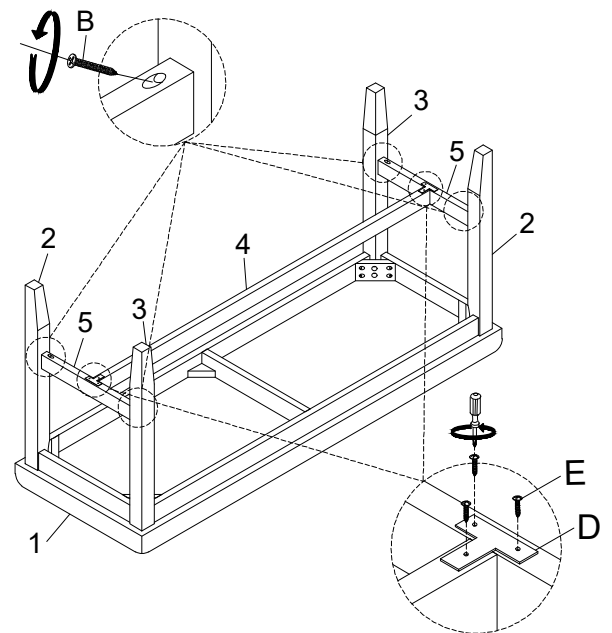
## PARTS LIST / LISTA DE PARTES

1		CUSHION WITH SEAT FRAME	1PC
2		RIGHT FRONT LEG	2PCS
3		LEFT FRONT LEG	2PCS
4		LONG STRETCHER	1PC
5		SHORT STRETCHER	2PCS

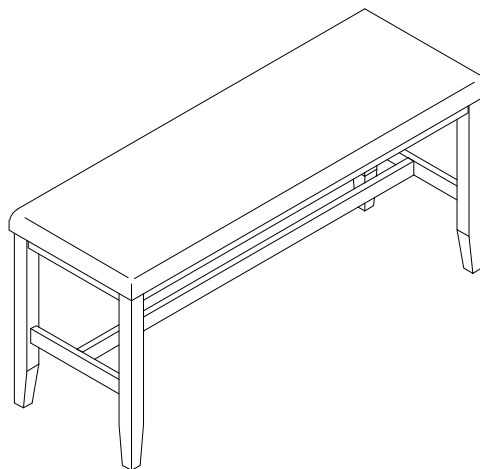
### STEP 1



### STEP 2



### FINISH



**DO NOT TIGHTEN ALL BOLTS UNTIL COMPLETELY ASSEMBLED !  
NO APRETER LOS TORNILLOS HASTA ARMAR COMPLETAMENTE**