






# ASSEMBLY INSTRUCTION INSTRUCCIONES








2772CL-S-24 (COUNTER HIGH CHAIR)

2772CL-S-24 (SILLA ALTA DE MOSTRADOR)

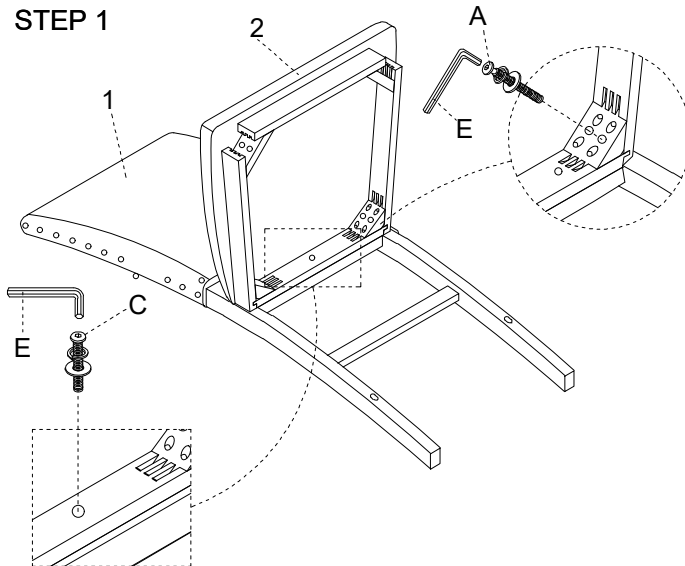
## HARDWARE LIST / LISTA DE TORNILLO

A		BOLT (Ø5/16" x 18 x 3-1/8") (Chair back leg corner)	4PCS
B		BOLT (Ø5/16" x 18 x 2-3/8") (Front leg)	4PCS
C		BOLT (Ø5/16" x 18 x 1-1/2") (Chair back center)	1PC
D		SCREW ( #8 x 1-1/2" )	6PCS
E		ALLEN KEY ( 4mm )	1PC

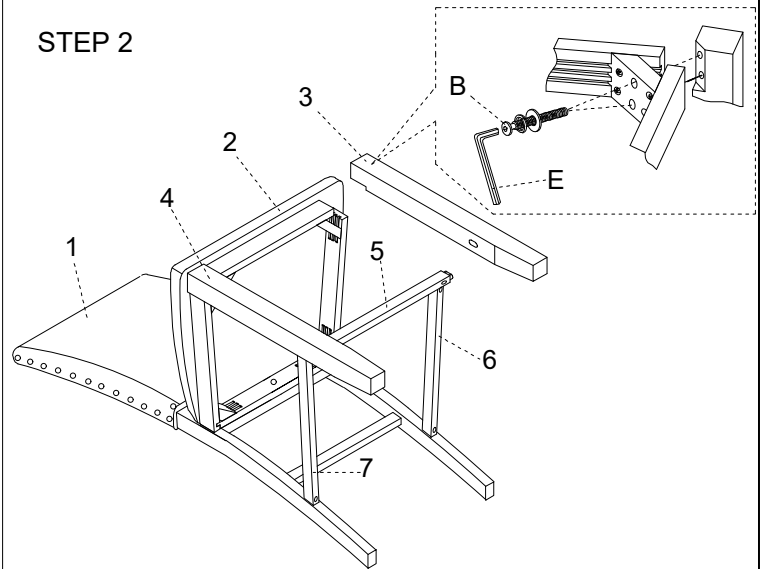
## PARTS LIST / LISTA DE PARTES

1		CHAIR BACK	1PC
2		CUSHION WITH SEAT FRAME	1PC
3		RIGHT FRONT LEG	1PC
4		LEFT FRONT LEG	1PC
5		FRONT STRETCHER	1PC
6		RIGHT STRETCHER	1PC
7		LEFT STRETCHER	1PC

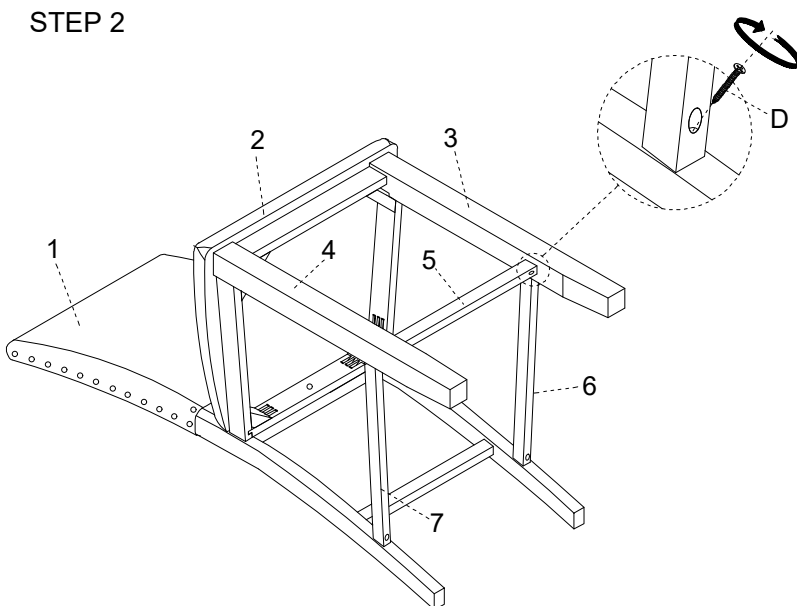
### STEP 1



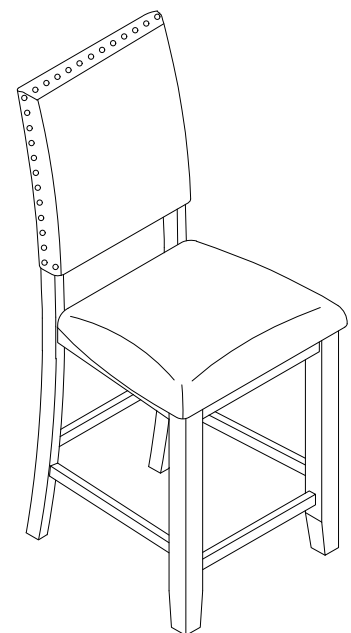
### STEP 2



### STEP 2



### FINISH



**DO NOT TIGHTEN ALL BOLTS UNTIL COMPLETELY ASSEMBLED !  
NO APRETER LOS TORNILLOS HASTA ARMAR COMPLETAMENTE**