




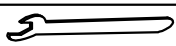


ASSEMBLY INSTRUCTION INSTRUCCIONES

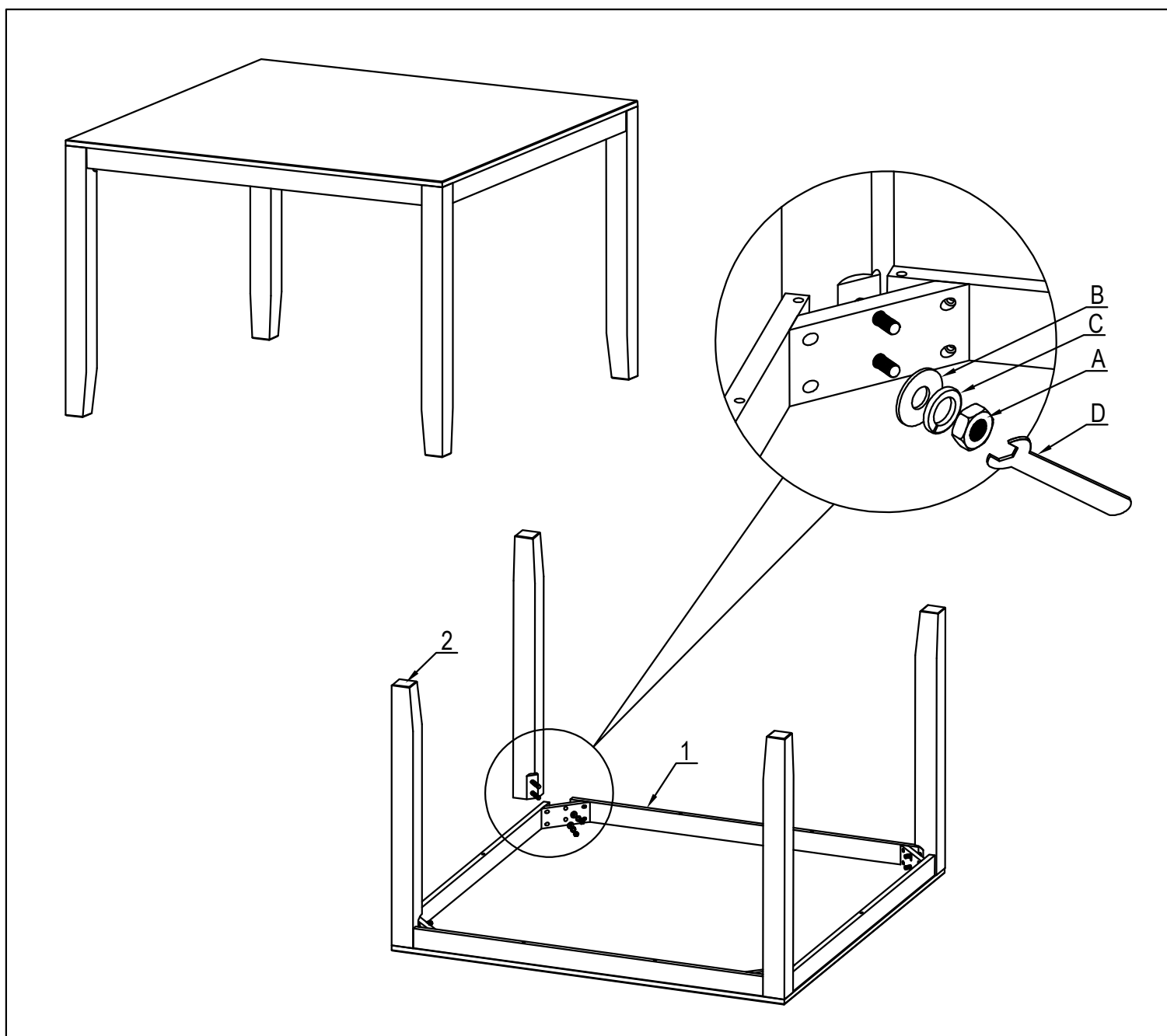
2754SET-GY/2754DW-SET TABLE 2754SET-GY/2754DW-SET MESA

PARTS LIST LISTA DE PARTS

1		1 PC/PIEZA
2		4 PCS/PIEZAS

A	 Nut 5/16"*13mm	8 PCS/PIEZAS
B	 Spring washer 5/16"*19mm	8 PCS/PIEZAS
C	 Lock washer 5/16"*11mm	8 PCS/PIEZAS
D	 Wrech 13*90mm	1 PC/PIEZA

ASSEMBLY INSTRUCTION INSTRUCCIONES


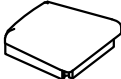
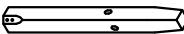
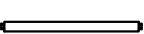
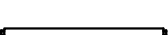







DO NOT TIGHTEN ALL BOLT UNTIL COMPLETELY ASSEMBLED.
NO APRETER LOS TORNILLOS HASTA ARMAR COMPLETAMENTE.

ASSEMBLY INSTRUCTION INSTRUCCIONES

2754SET-GY/2754DW-SET CHAIR 2754SET-GY/2754DW-SET SILLA

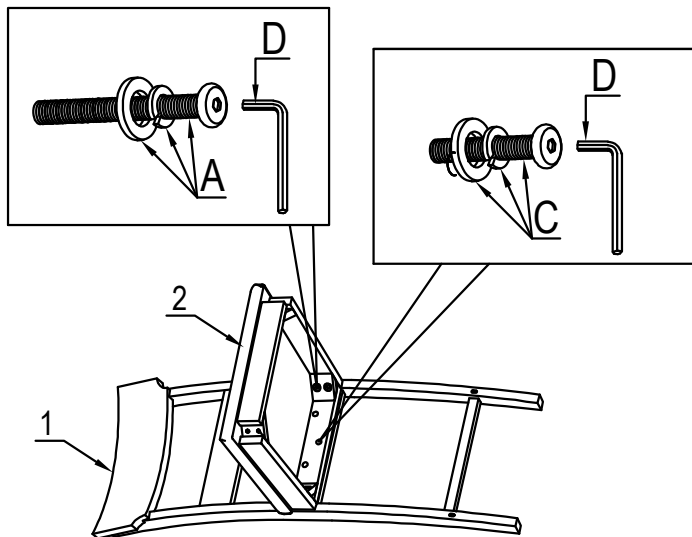
PARTS LIST LISTA DE PARTS

1		1 PC/PIEZA
2		1 PC/PIEZA
3		2 PCS/PIEZAS R=1 L=1
4		1 PC/PIEZA
5		2 PCS/PIEZAS R=1 L=1

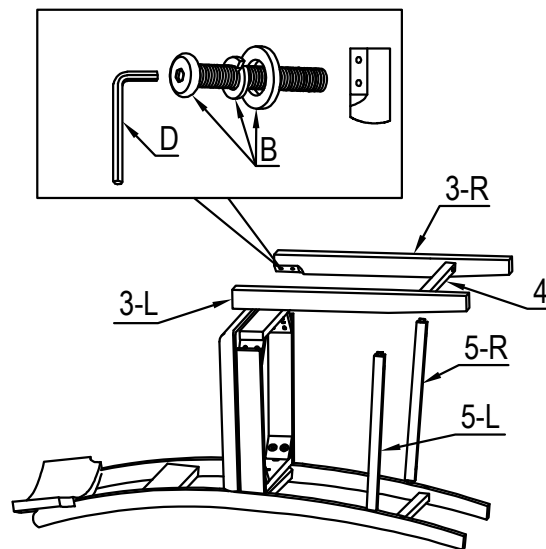
A		Bolt 1/4"×20×3-1/4" (chair back leg corner)	4 PCS/PIEZAS
B		Bolt 1/4"×20×2-1/2" (front leg)	4 PCS/PIEZAS
C		Bolt 1/4"×20×1-1/2" (chair back center)	3 PCS/PIEZAS
D		Allen key 4*60mm	1 PC/PIEZA
E		Screw 38mm	6 PCS/PIEZAS

ASSEMBLY INSTRUCTION INSTRUCCIONES

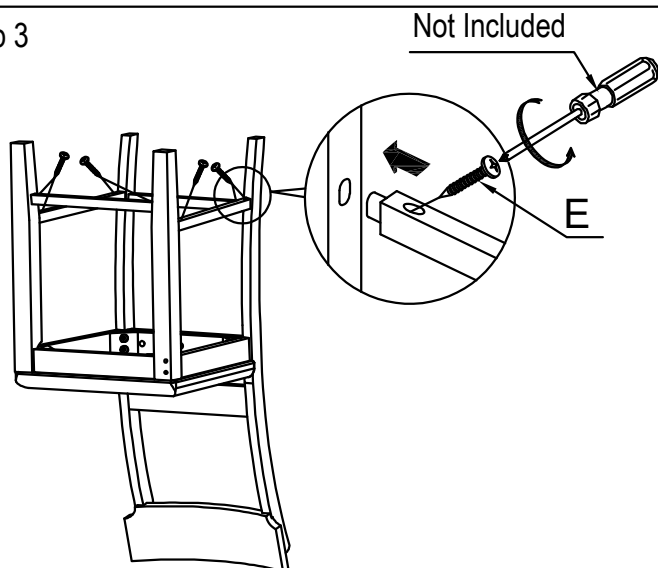
Step 1



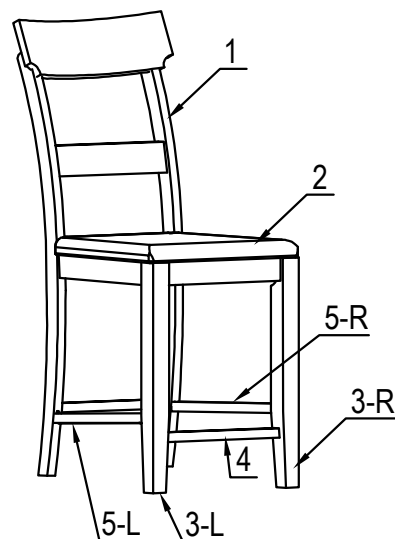
Step 2



Step 3



Step 4



DO NOT TIGHTEN ALL BOLT UNTIL COMPLETELY ASSEMBLED.
NO APRETER LOS TORNILLOS HASTA ARMAR COMPLETAMENTE.