



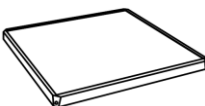


# ASSEMBLY INSTRUCTIONS

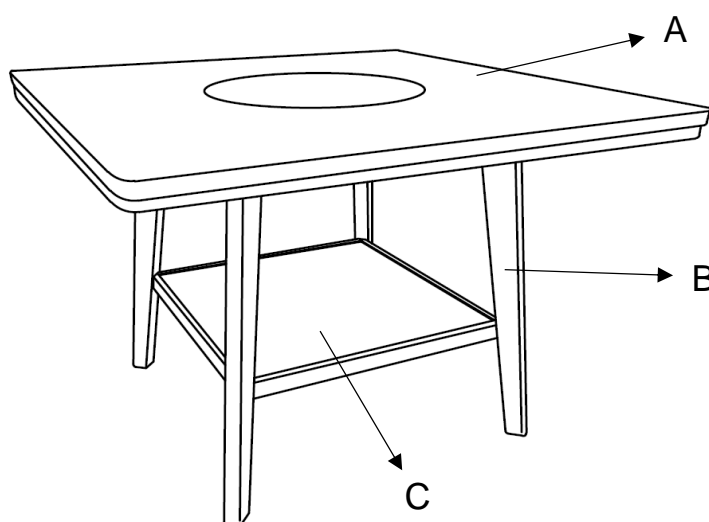
MODEL : 2733

**CRWN**

2733T-4848

Thank you for purchasing this quality product. Be sure to check all packing material carefully for small parts. Which may have come loose inside the carton during shipment. Identify and count all parts and compare with the hardware list as below.

<b>Part List</b>	<b>No.</b>	<b>Picture</b>	<b>Description</b>	<b>Qty</b>
	A		Table Top	1 Pc
	B		Leg	4 Pcs
	C		Shelf	1 Pc
<b>Hardware List</b>	<b>No.</b>	<b>Picture</b>	<b>Description</b>	<b>Qty</b>
	1		Allen Wrench	1 Pc
	2		Bolt With Washer	12 Pcs



PARTS DETAILS

**THE HARDWARE IS LOCATED IN THE PACKING ITEMS.**

# ASSEMBLY INSTRUCTIONS

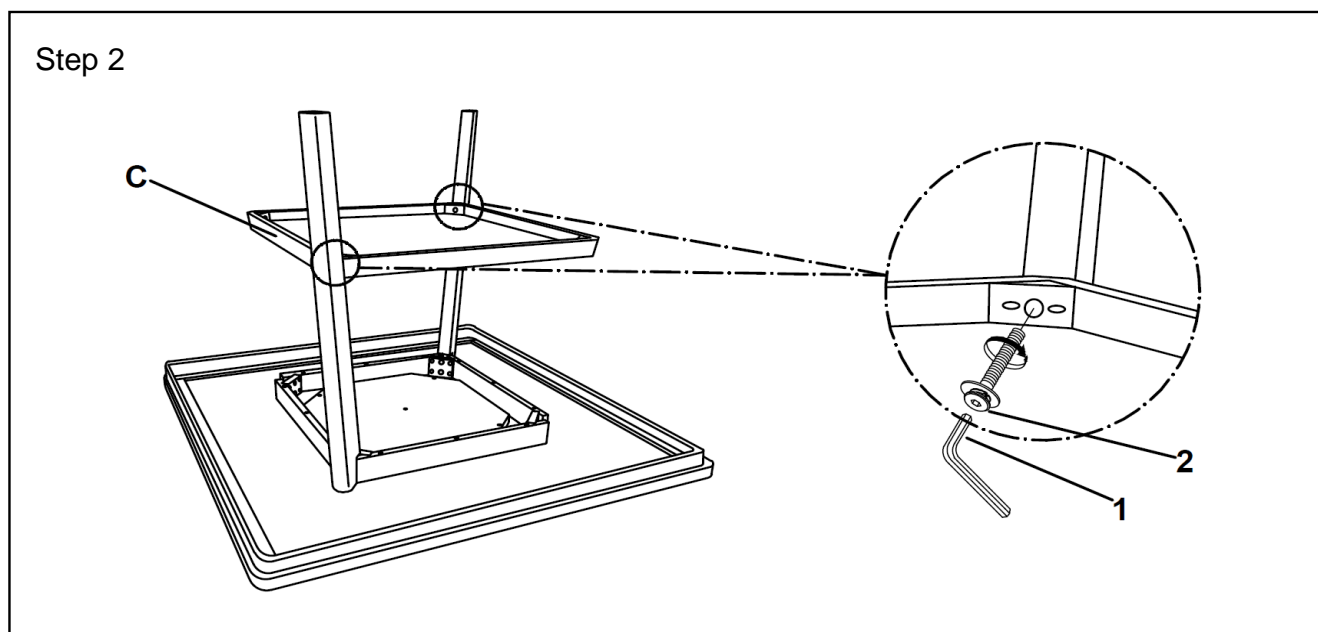
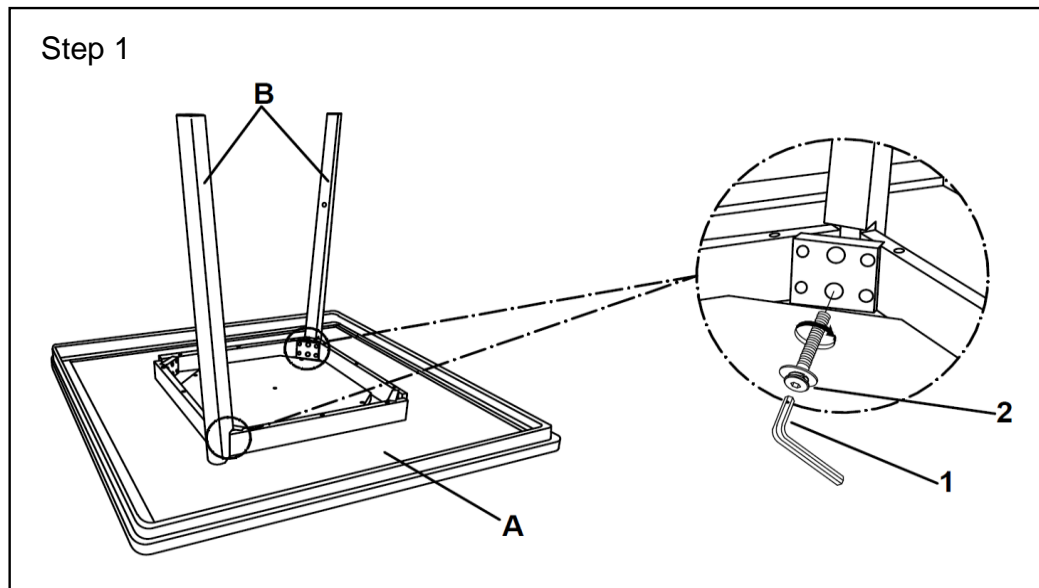
MODEL : 2733

**CRWN**

2733T-4848

Thank you for purchasing this quality product. Be sure to check all packing material carefully for small parts which may have come loose inside the carton during shipment. Identify and count all parts and compare with the Part List as below.

\*\* Assemble the table on flat, soft surface such as carpet or cloth to prevent scratching table finish. Read all the instruction and study the drawings carefully before starting the assemble process.



# ASSEMBLY INSTRUCTIONS

MODEL : 2733

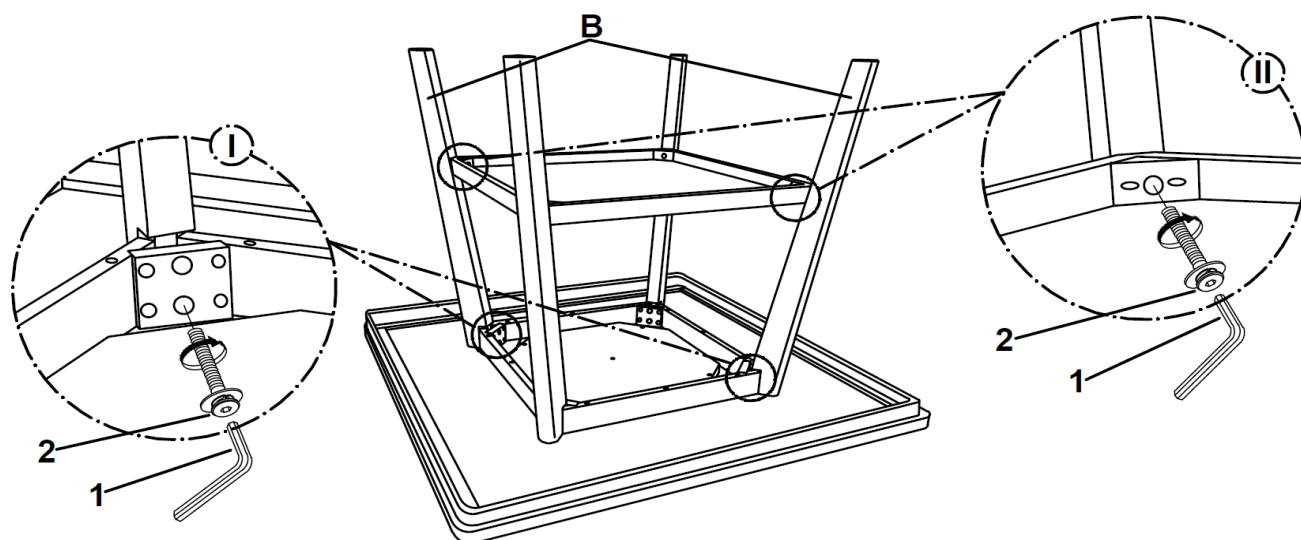
**CRWN**

2733T-4848

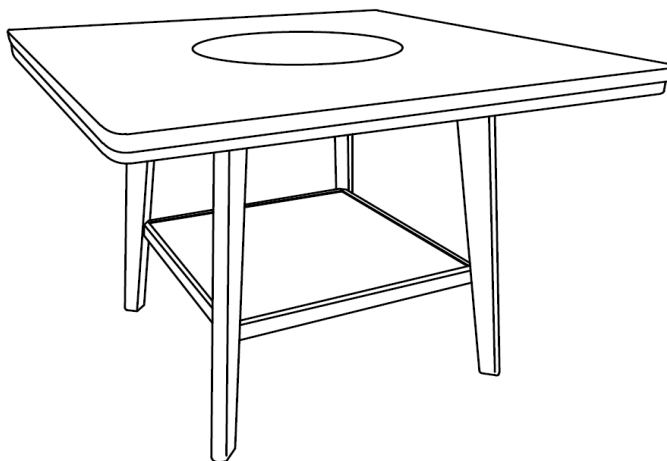
Thank you for purchasing this quality product. Be sure to check all packing material carefully for small parts which may have come loose inside the carton during shipment. Identify and count all parts and compare with the Part List as below.

\*\* Assemble the table on flat, soft surface such as carpet or cloth to prevent scratching table finish. Read all the instruction and study the drawings carefully before starting the assemble process.

Step 3



Step 4



# ASSEMBLY INSTRUCTIONS

MODEL : 2733

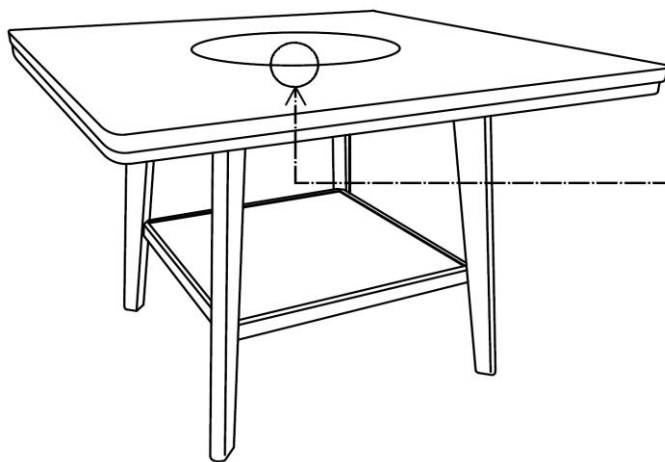
**CRWN**

2733T-4848

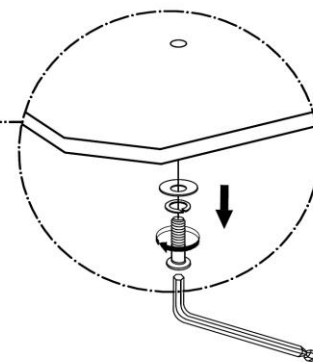
Thank you for purchasing this quality product. Be sure to check all packing material carefully for small parts which may have come loose inside the carton during shipment. Identify and count all parts and compare with the Part List as below.

\*\* Assemble the table on flat, soft surface such as carpet or cloth to prevent scratching table finish. Read all the instruction and study the drawings carefully before starting the assemble process.

**\*\*Optional: For take out lazy susan**



\* **Unloose the JCBC Bolt underneath the lazy susan**



\* **Allen wrench (M4) does not provide by manufacturer**