


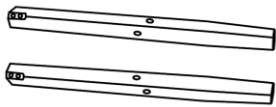

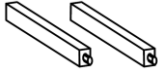



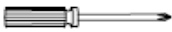
ASSEMBLY INSTRUCTIONS

MODEL : 2733

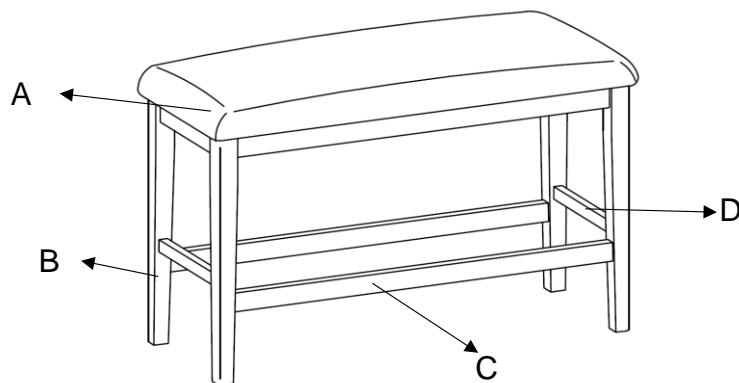
CRWN

2733-BENCH

Thank you for purchasing this quality product. Be sure to check all packing material carefully for small parts. Which may have come loose inside the carton during shipment. Identify and count all parts and compare with the hardware list as below.

| Part List | No. | Picture | Description | Qty |
|---------------|---|---|-------------------|-------|
| | A |  | Seater With Frame | 1 Pc |
| | B |  | Leg L/R | 4 Pcs |
| | C |  | Front Stretcher | 2 Pcs |
| | D |  | Stretcher L/R | 2 Pcs |
| Hardware List | No. | Picture | Description | Qty |
| | 1 |  | Allen Wrench | 1 Pc |
| | 2 |  | Bolt With Washer | 8 Pcs |
| | 3 |  | Screw | 8 Pcs |
| 4 |  | Philips Head Screw Driver (*) | 1 Pc | |

(*) The manufacturer does not provide item 4.



PARTS DETAILS

THE HARDWARE IS LOCATED IN THE PACKING ITEMS.

ASSEMBLY INSTRUCTIONS

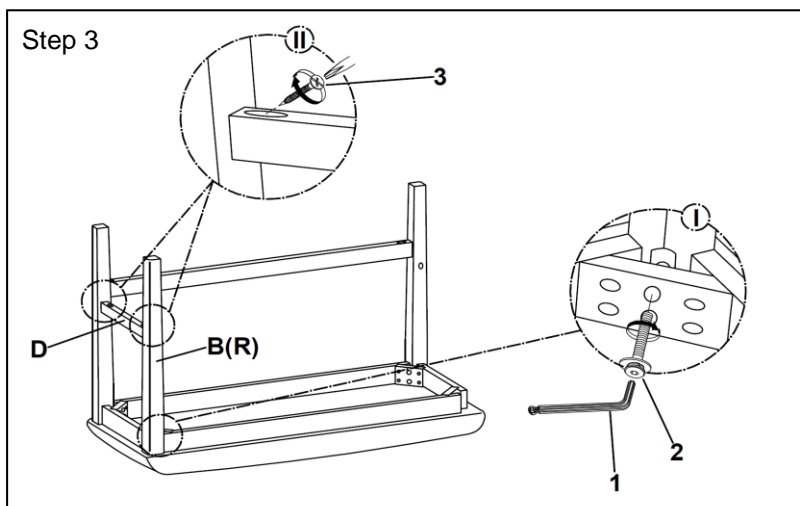
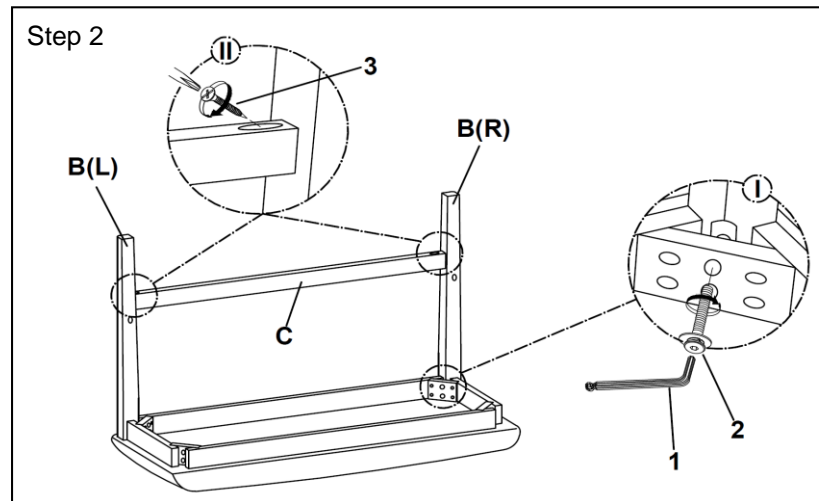
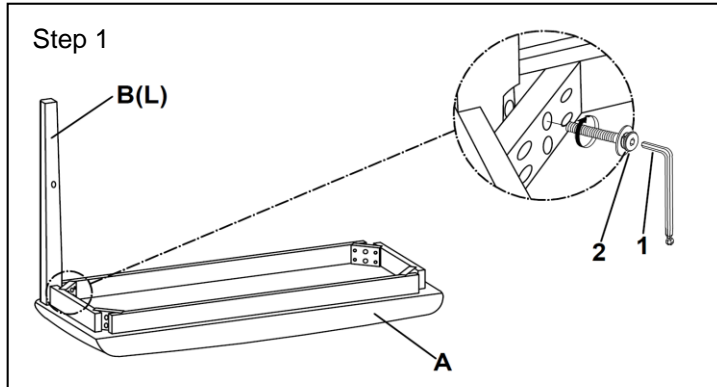
MODEL : 2733

CRWN

2733-BENCH

Thank you for purchasing this quality product. Be sure to check all packing material carefully for small parts which may have come loose inside the carton during shipment. Identify and count all parts and compare with the Part List as below.

** Assemble the bench on flat, soft surface such as carpet or cloth to prevent scratching bench finish. Read all the instruction and study the drawings carefully before starting the assemble process.



ASSEMBLY INSTRUCTIONS

MODEL : 2733

CRWN**2733-BENCH**

Thank you for purchasing this quality product. Be sure to check all packing material carefully for small parts which may have come loose inside the carton during shipment. Identify and count all parts and compare with the Part List as below.

** Assemble the bench on flat, soft surface such as carpet or cloth to prevent scratching bench finish. Read all the instruction and study the drawings carefully before starting the assemble process.

