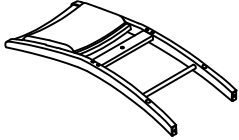

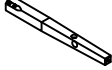
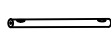
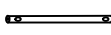




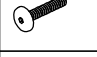


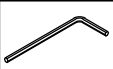

ASSEMBLY INSTRUCTIONS
INSTRUCCIONES

2727GY-S-24/2727WH-S-24/2727LG-S-24
(COUNTER HIGH CHAIR)

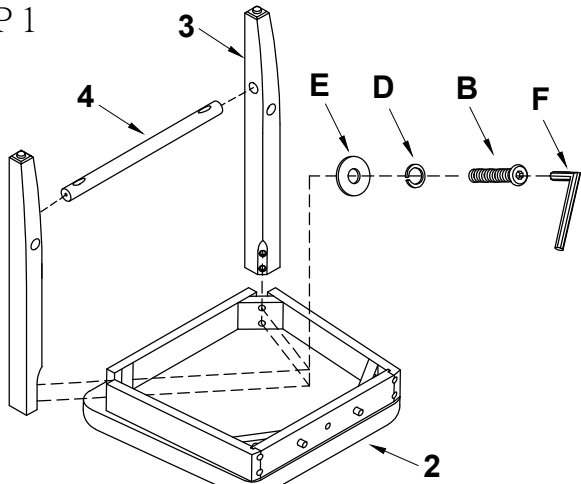
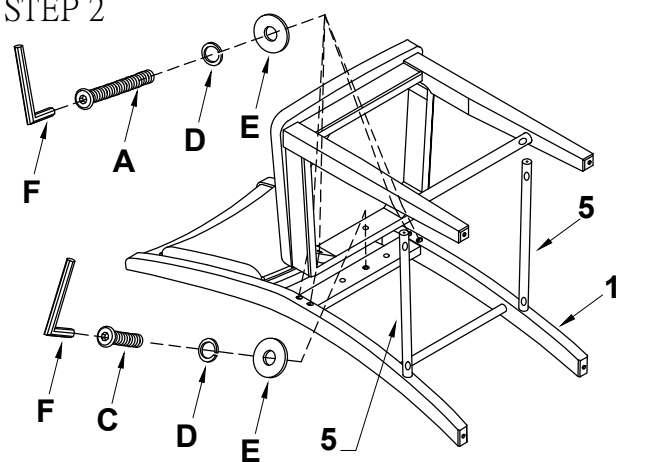
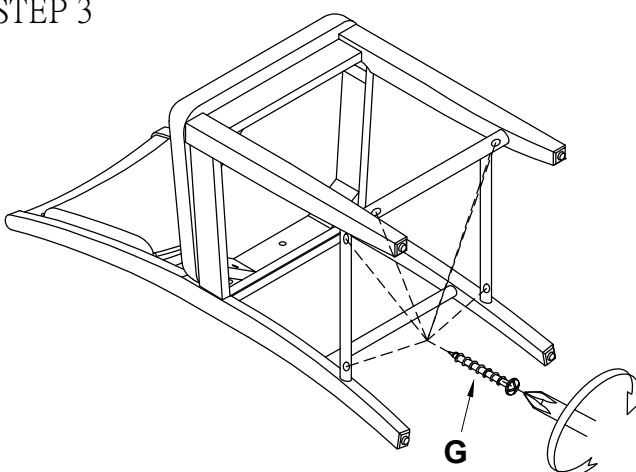
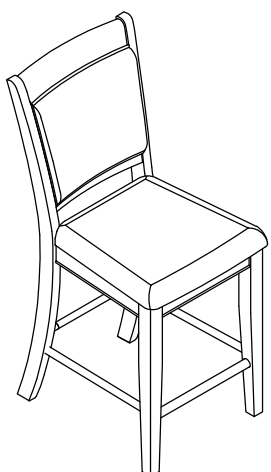
PARTS LIST
LISTA DE PARTES

2727GY-S-24/2727WH-S-24/2727LG-S-24
(SILLA ALTA DE MOSTRADOR)

1		1PC / PIEZA
2		1PC / PIEZA
3		2PCS / PIEZAS
4		1PC / PIEZA FRONT=1
5		2PCS / PIEZAS SIDE=2

A		BOLT 5/16"*18*3" (chair back leg corner)	4PCS / PIEZAS
B		BOLT 5/16"*18*2" (front leg)	4PCS / PIEZAS
C		BOLT 5/16"*18*1-1/2" (chair back center)	1PC / PIEZAS
D		SPRING WASHER 5/16"*12mm	9PCS / PIEZAS
E		FLAT WASHER 5/16"*19mm	9PCS / PIEZAS
F		ALLEN WRENCH 4mm	1PC / PIEZA
G		SCREW 1-1/2"	6PCS / PIEZAS

ASSEMBLY INSTRUCTIONS
INSTRUCCIONES

<p>STEP 1</p> 	<p>STEP 2</p> 
<p>STEP 3</p> 	<p>STEP 4</p> 

DO NOT TIGHTEN ALL BOLTS UNTIL COMPLETELY ASSEMBLED.
NO APRETAR LOS TORNILLOS HASTA ARMAR COMPLETAMENTE.