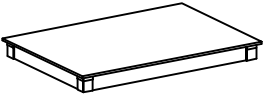






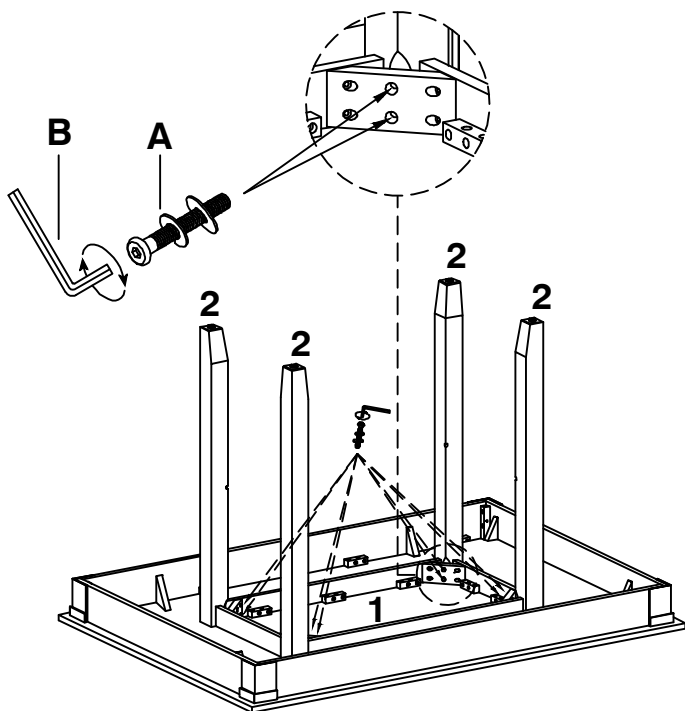
**PARTS LIST**

NO.	DESCRIPTION	SKETCH	Q'TY
1	TABLE TOP		1
2	TABLE LEG		4
3	TABLE SHELF		1

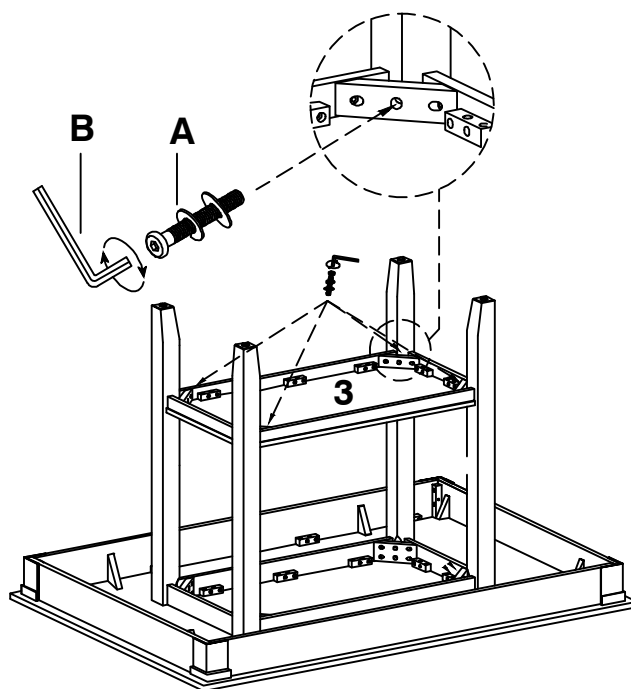
**HARDWARE LIST**

NO.	DRAWING	DESCRIPTION	Q'TY
A		Ø5/16"-18x2-3/4"L	12
B		M4 SMALL ALLEN KEY	1

**STEP/PASO:1**



**STEP/PASO:2**



**COMPLETED**

