
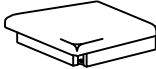









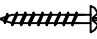


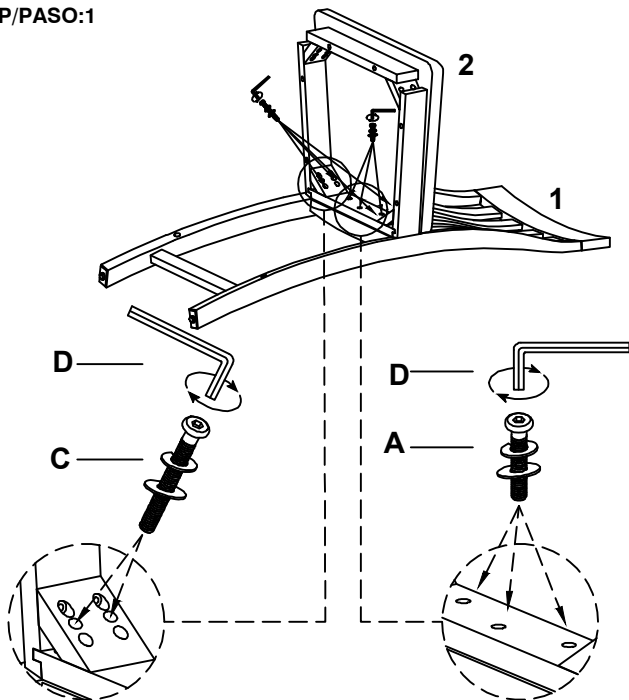
PARTS LIST

NO.	DESCRIPTION	SKETCH	Q'TY
1	CHAIR BACK		1
2	SEAT FRAME		1
3	CHAIR LEG (R)		1
4	CHAIR LEG (L)		1
5	SIDE STRETCHER(R)		1
6	SIDE STRETCHER(L)		1
7	FRONT STRETCHER		1

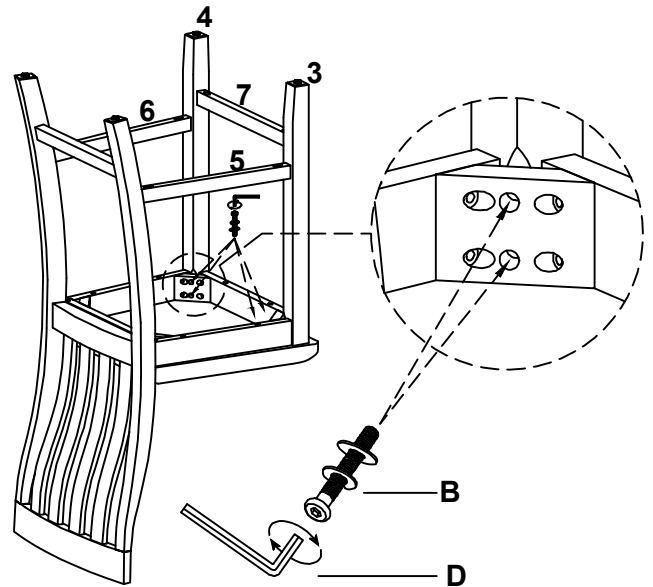
HARDWARE LIST

NO.	DRAWING	DESCRIPTION	Q'TY
A		Ø1/4"-20x1-1/2"L (Chair Back Center)	3
B		Ø1/4"-20x2-3/8"L (Front Leg)	4
C		Ø1/4"-20x3-1/8"L (Chair Back Leg Corner)	4
D		M4 SMALL ALLEN KEY	1
E		#8x1-3/4"L	6

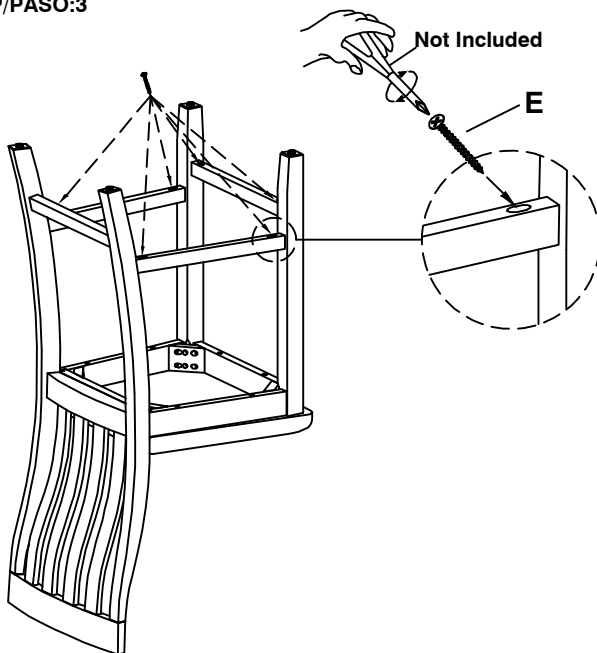
STEP/PASO:1



STEP/PASO:2



STEP/PASO:3



COMPLETED

