

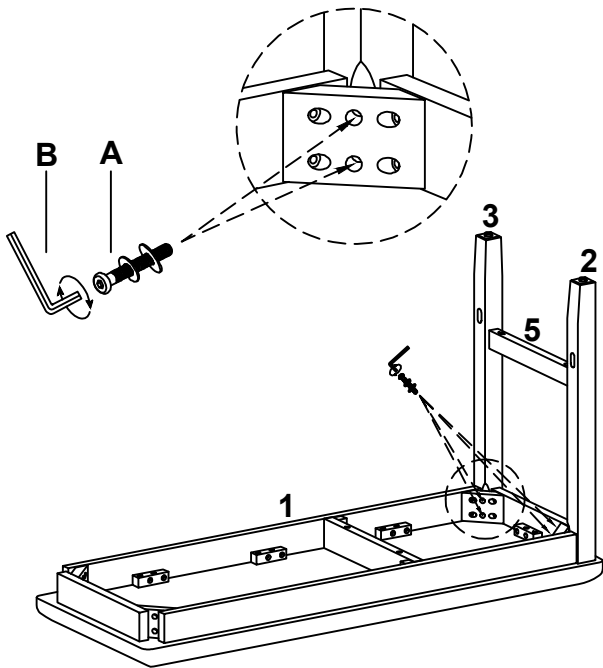
**PARTS LIST**

NO.	DESCRIPTION	SKETCH	Q'TY
1	SEAT FRAME		1
2	BENCH LEG (R)		2
3	BENCH LEG (L)		2
4	LONG STRETCHER		1
5	SHORT STRETCHER		2

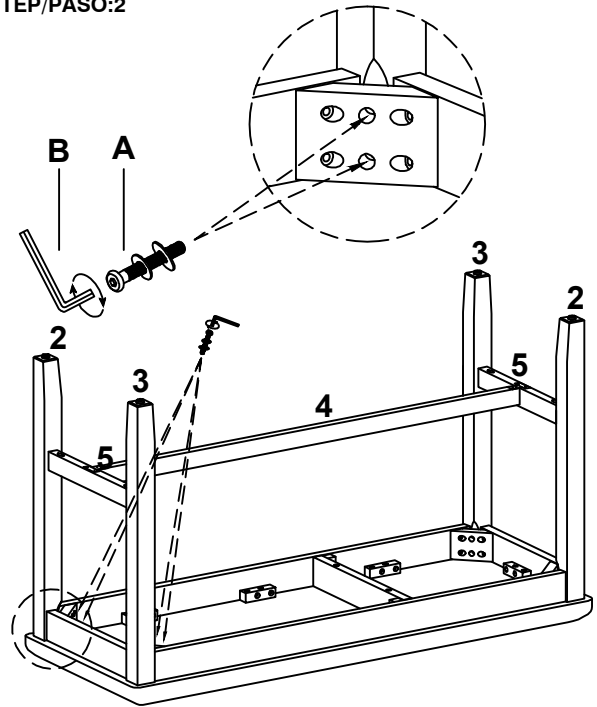
**HARDWARE LIST**

NO.	DRAWING	DESCRIPTION	Q'TY
A		Ø1/4"-20x2-3/8"L	8
B		M4 SMALL ALLEN KEY	1
C		#8x1-3/4"L (Short stretcher)	4
D		#8x5/8"L (Long stretcher)	8
E		76*50*2mm (Metal)	2

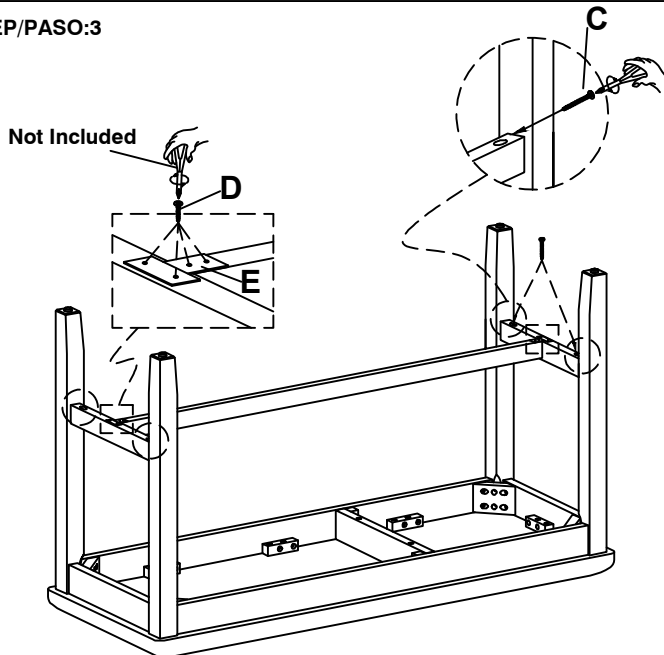
**STEP/PASO:1**



**STEP/PASO:2**



**STEP/PASO:3**



**COMPLETED**

