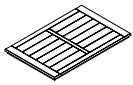


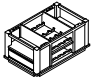
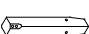


ASSEMBLY INSTRUCTIONS
INSTRUCCIONES

2716T-4060/2717T-4060 COUNTER HIGH TABLE
2716T-4060/2717T-4060 MESA ALTA DE
MOSTRADOR

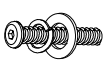
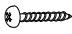

(BOX 1) TABLE TOP

1		1PC / PIEZA
----------	-----------------------------------------------------------------------------------	-------------

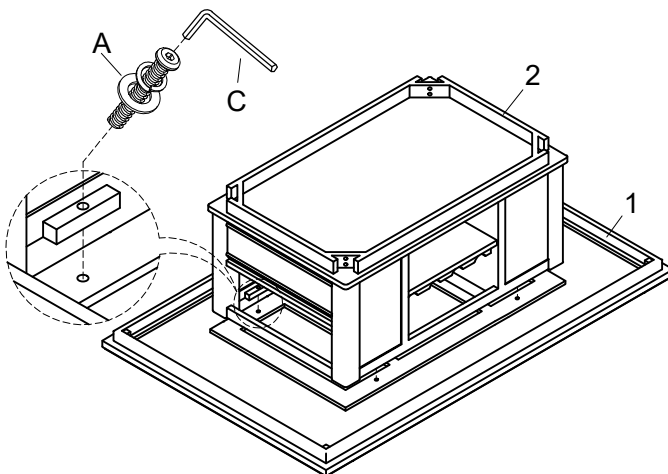
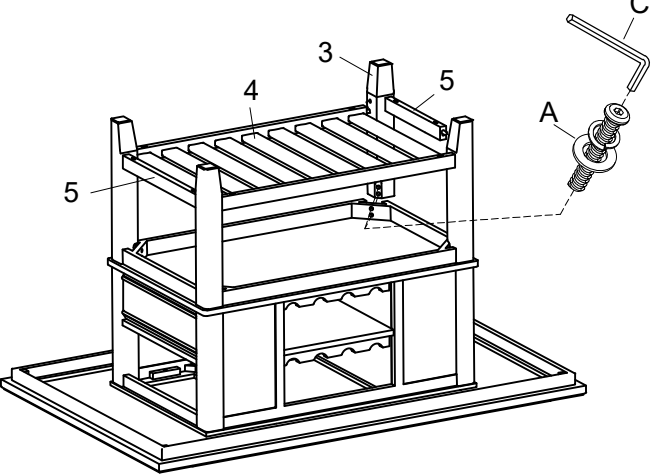
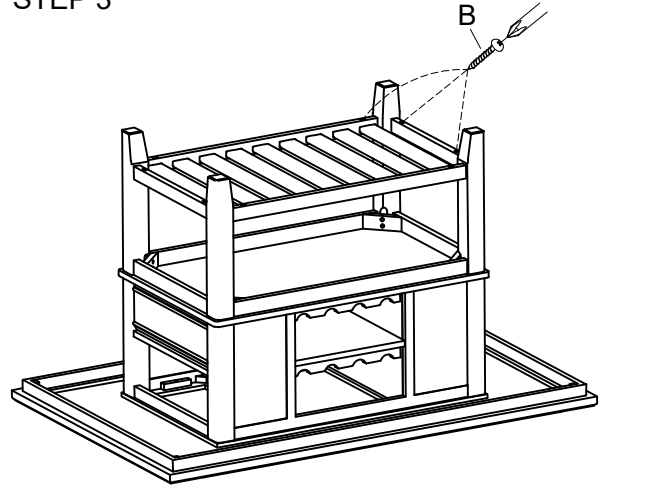
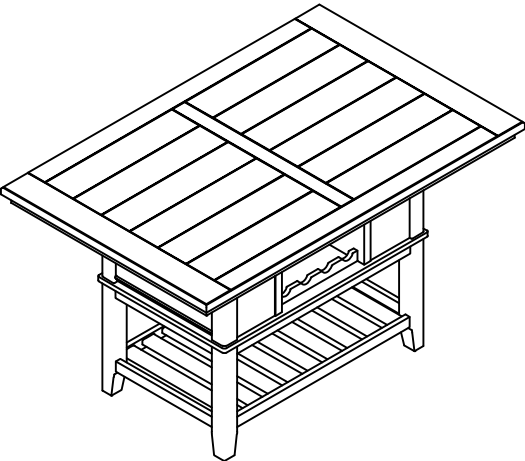
(BOX 2) TABLE BASE

2		1PC / PIEZA
3		4PCS / PIEZAS
4		1PC / PIEZA
5		2PCS / PIEZAS

(BOX 1) HARDWARE LIST

A		BOLT Ø5/16" x 18 x 2"	12PCS / PIEZAS
B		SCREW #8x1-1/2"	8PCS / PIEZAS
C		ALLEN WRENCH 4mm	1PC / PIEZA

ASSEMBLY INSTRUCTIONS
INSTRUCCIONES

<p>STEP 1</p> 	<p>STEP 2</p> 
<p>STEP 3</p> 	<p>STEP 4</p> 

DO NOT TIGHTEN ALL BOLTS UNTIL COMPLETELY ASSEMBLED.
NO APRETAR LOS TORNILLOS HASTA ARMAR COMPLETAMENTE.