

**ASSEMBLY INSTRUCTIONS**  
**INSTRUCCIONES**

**2715S-24/ 2715GY-S-24 COUNTER HIGH CHAIR**  
**2715S-24/ 2715GY-S-24 SILLA ATLA DE MOSTRADOR**

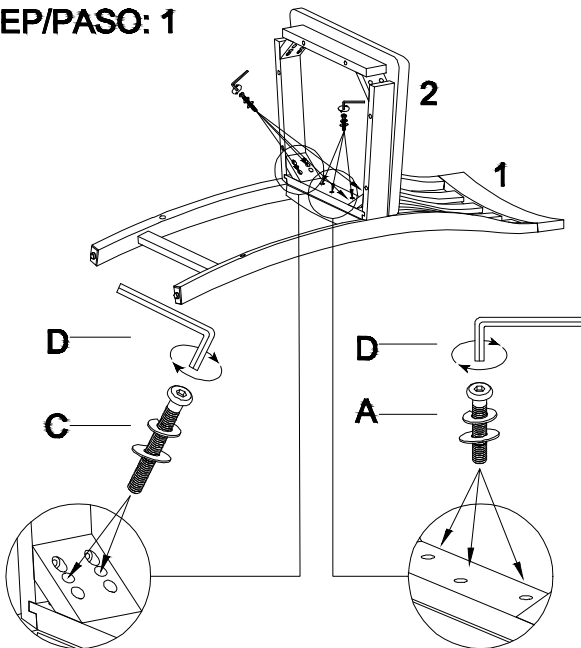
**PARTS LIST**

NO.	DETSRIPTION	SKETCH	Q'TY
1	CHAIR BACK		1
2	SEAT FRAME		1
3	CHAIR LEG (R)		1
4	CHAIR LEG (L)		1
5	SIDE STRETCHER (R)		1
6	SIDE STRETCHER (L)		1
7	FRONT STRETCHER		1

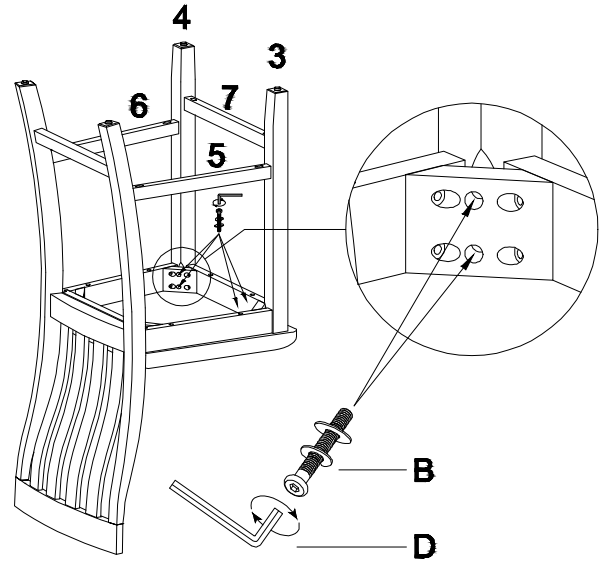
**HARDWARE LIST**

NO.	DRAWING	DETSRIPTION	Q'TY
A		Ø1/4"-20x1-1/2" L (CHAIR BACK CENTER)	3
B		Ø1/4"-20x2-3/8" L (FRONT LEG)	4
C		Ø1/4"-20x3-1/8" L (CHAIR BACK LEG CORNER)	4
D		M4 SMALL ALLEN KEY	1
E		#6x1-3/4" L	6

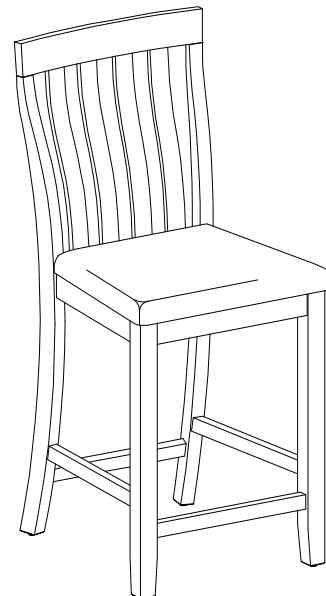
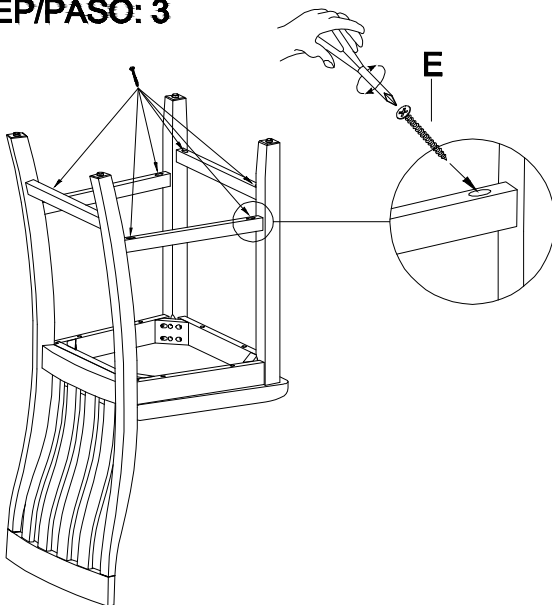
**STEP/PASO: 1**



**STEP/PASO: 2**



**STEP/PASO: 3**



**DO NOT TIGHTEN ALL BOLTS UNTIL COMPLETELY ASSEMBLED.**  
**NO APRETAR LOS TORNILLOS HASTA ARMAR COMPLETAMENTE.**