

ASSEMBLY INSTRUCTIONS
INSTRUCCIONES

2715-BENCH COUNTER HIGH BENCH
2715-BENCH BANCA ALTA DE MOSTRADOR

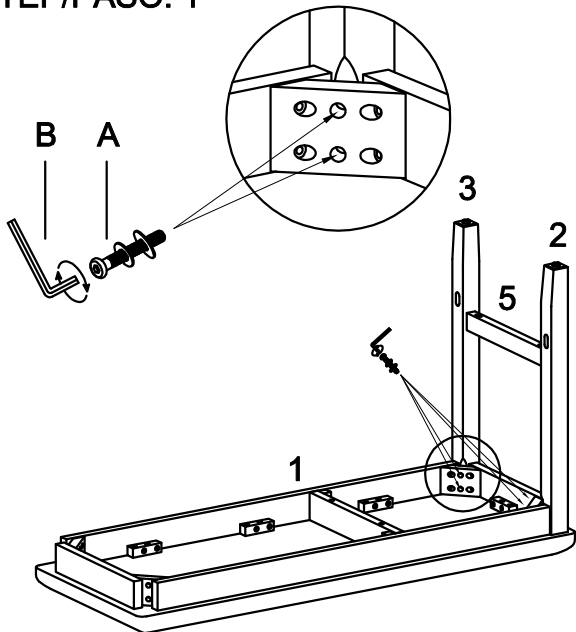
PARTS LIST

NO.	DETSRIPTION	SKETCH	Q'TY
1	SEAT FRAME		1
2	CHAIR LEG (R)		2
3	CHAIR LEG (L)		2
4	FRONT STRETCHER		2
5	SIDE STRETCHER		2

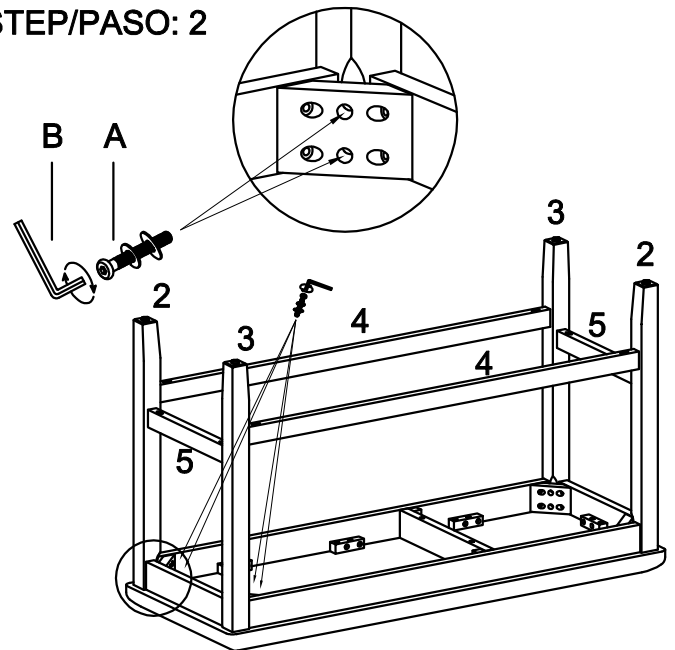
HARDWARE LIST

NO.	DRAWING	DETSRIPTION	Q'TY
A		Ø1/4"-20x2-3/8" L	8
B		M4 SMALL ALLEN KEY	1
C		#8x1-3/4" L	8

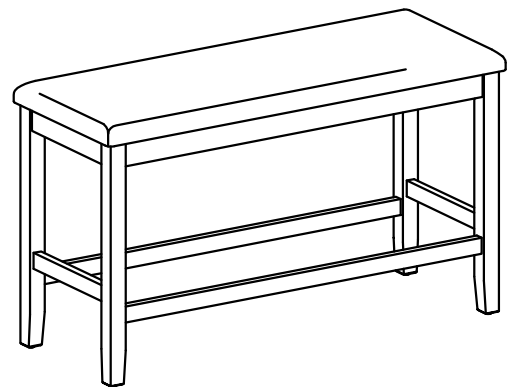
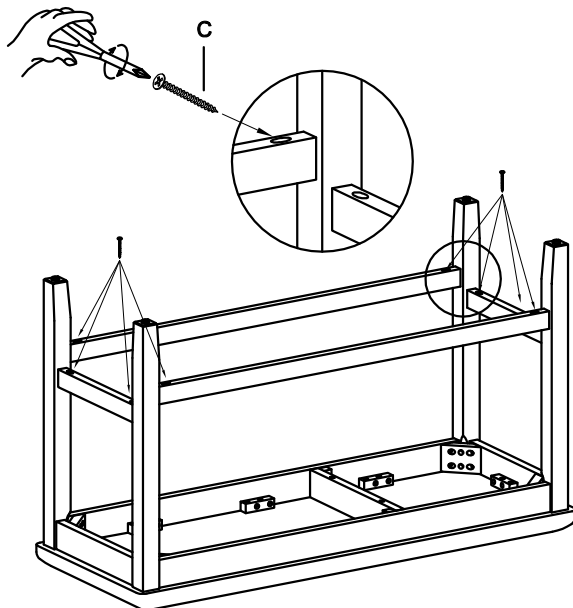
STEP/PASO: 1



STEP/PASO: 2



STEP/PASO: 3



DO NOT TIGHTEN ALL BOLTS UNTIL COMPLETELY ASSEMBLED.
NO APRETAR LOS TORNILLOS HASTA ARMAR COMPLETAMENTE.