

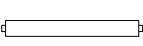




# ASSEMBLED INSTRUCTIONS

## INSTRUCCIONS

### PARTS LIST

### LISTA DE PARTES

2700 BENCH

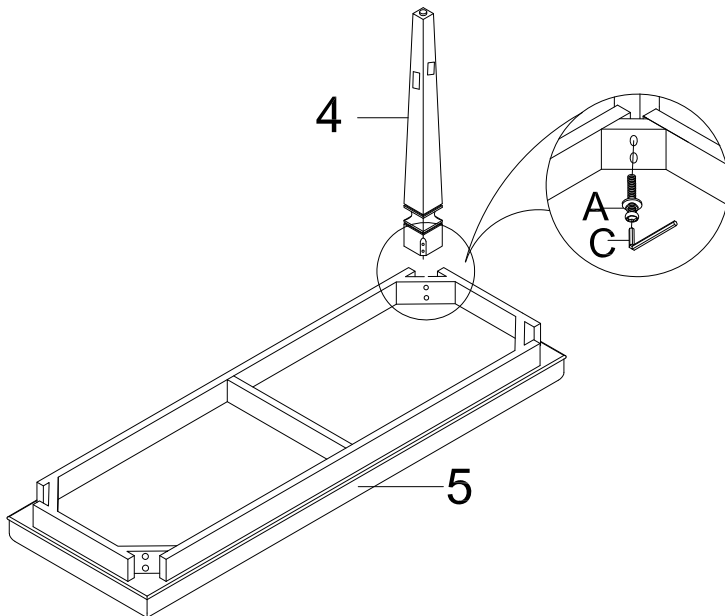
1	LONG STRETCHER 	2PCS/PIEZAS
2	SHORT STRETCHER 	2PCS/PIEZAS
3	RIGHT LEGS 	2PCS/PIEZAS
4	LEFT LEGS 	2PCS/PIEZAS
5	SEAT FRAME 	1PC/PIEZA

A		BOLT $\phi$ 1/4"*2"	8PCS/PIEZAS
B		SCREW $\phi$ 8*55mm	8PCS/PIEZAS
C		ALLEN WRENCH 4mm	1PC/PIEZA

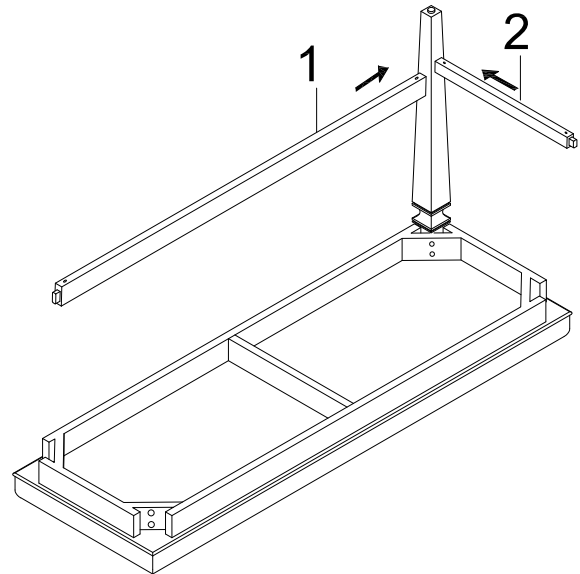
# ASSEMBLED INSTRUCTIONS

## INSTRUCCIONS

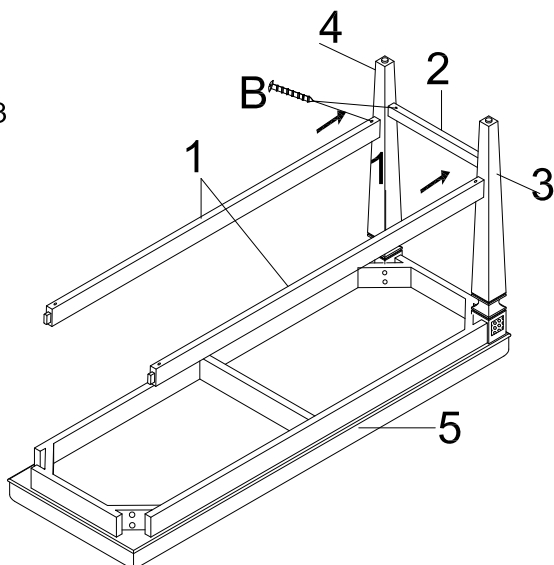
STEP: 1  
PASO: 1



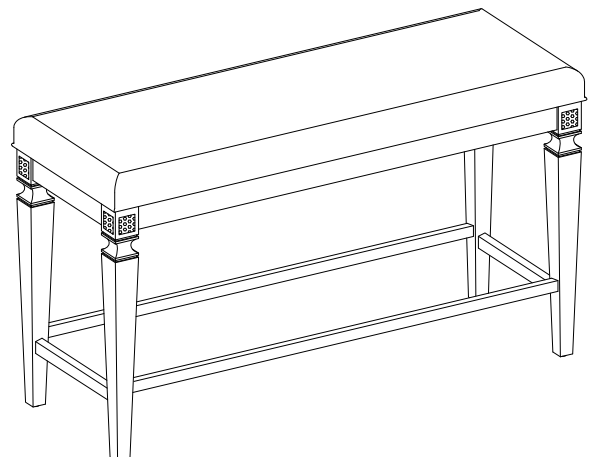
STEP: 2  
PASO: 2



STEP: 3  
PASO: 3



STEP: 4  
PASO: 4



**DO NOT TIGHTEN ALL BOLTS UNTIL COMPLETELY ASSEMBLED**  
**NO APRETAR LOS TORNILLOS HASTA ARMAR COMPLETAMENTE**