









# ASSEMBLY INSTRUCTION 2631SET-LG / 2631SET-DW COUNTER HIGH TABLE INSTRUCCIONES 2631SET-LG / 2631SET-DW MESA ALTA DE MOSTRADOR

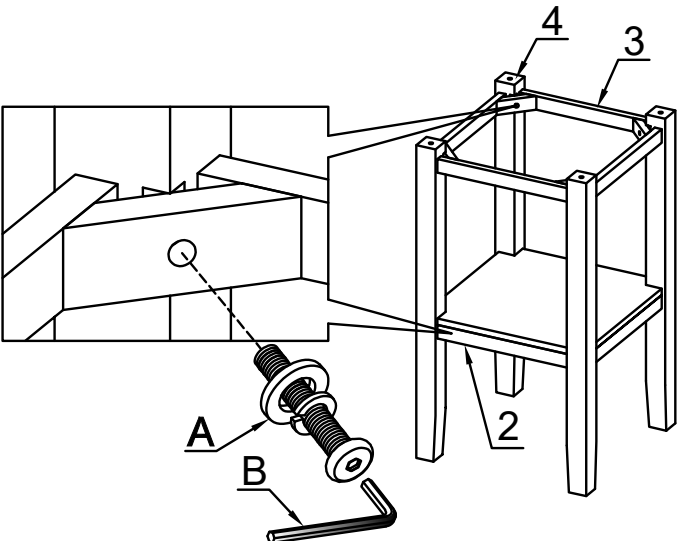
## PARTS LIST LISTA DE PARTES

|   |   |              |
|---|---|--------------|
| 1 |  | 1 PC/PIEZA   |
| 2 |  | 1 PC/PIEZA   |
| 3 |  | 1 PC/PIEZA   |
| 4 |  | 4 PCS/PIEZAS |
| 5 |  | 2 PCS/PIEZAS |

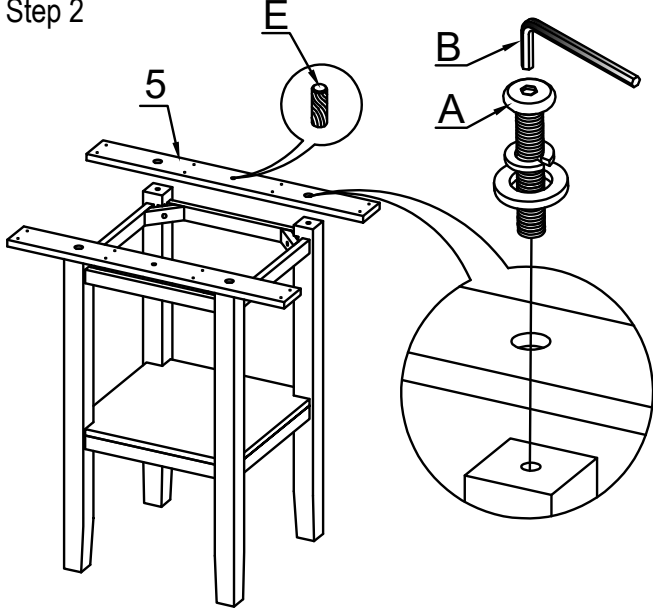
|   |   |                        |               |
|---|---|------------------------|---------------|
| A |  | Bolt Ø1/4"*20*1-15/16" | 12 PCS/PIEZAS |
| B |  | Allen key 4*60mm       | 1 PC/PIEZA    |
| C |  | Screw 32mm             | 16 PCS/PIEZAS |
| D |  | FLAT WASHER 1/4"*19mm  | 16 PCS/PIEZAS |
| E |  | Ø10*20mm               | 2 PCS/PIEZAS  |

## ASSEMBLY INSTRUCTION INSTRUCCIONES

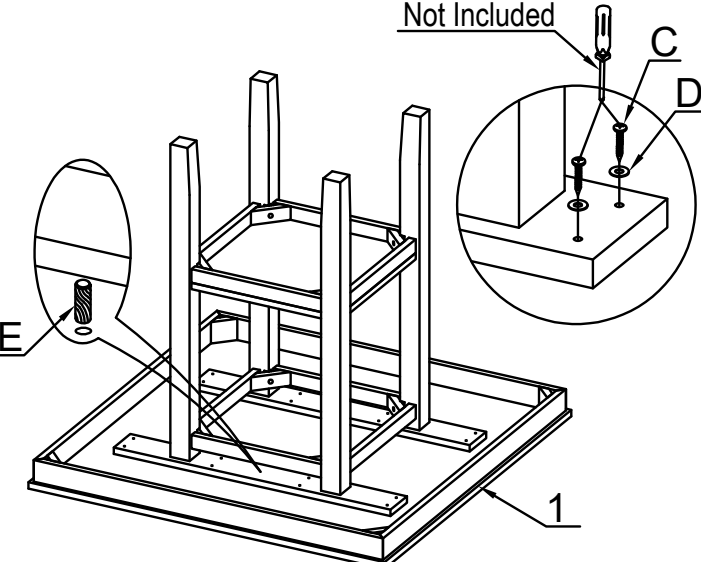
**Step 1**



**Step 2**

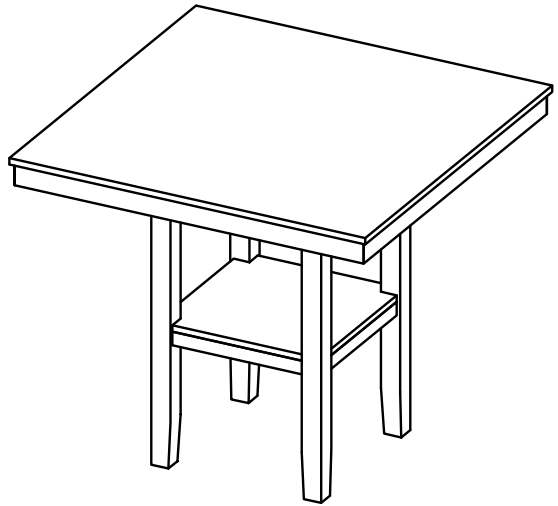


**Step 3**



Not Included

**Step 4**

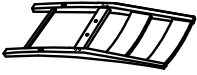

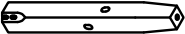











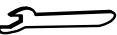
DO NOT TIGHTEN ALL BOLTS UNTIL COMPLETELY ASSEMBLED.  
NO APRETER LOS TORNILLOS HASTA ARMAR COMPLETAMENTE.

# ASSEMBLY INSTRUCTION INSTRUCCIONES

# 2631SET-LG / 2631SET-DW COUNTER HIGH CHAIR 2631SET-LG / 2631SET-DW SILLA ALTA DE MOSTRADOR

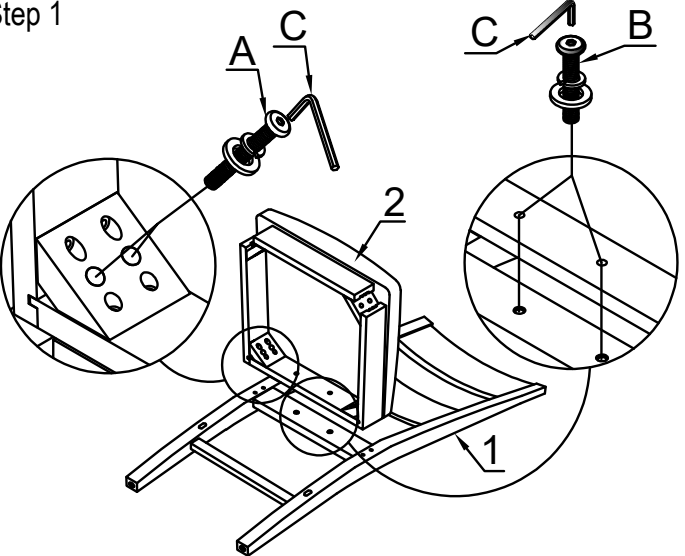
## PARTS LIST LISTA DE PARTES

|   |   |                         |
|---|---|-------------------------|
| 1 |  | 1 PC/PIEZA              |
| 2 |  | 1 PC/PIEZA              |
| 3 |  | 2 PCS/PIEZAS<br>R=1 L=1 |
| 4 |  | 1 PC/PIEZA              |
| 5 |  | 2 PCS/PIEZAS<br>R=1 L=1 |

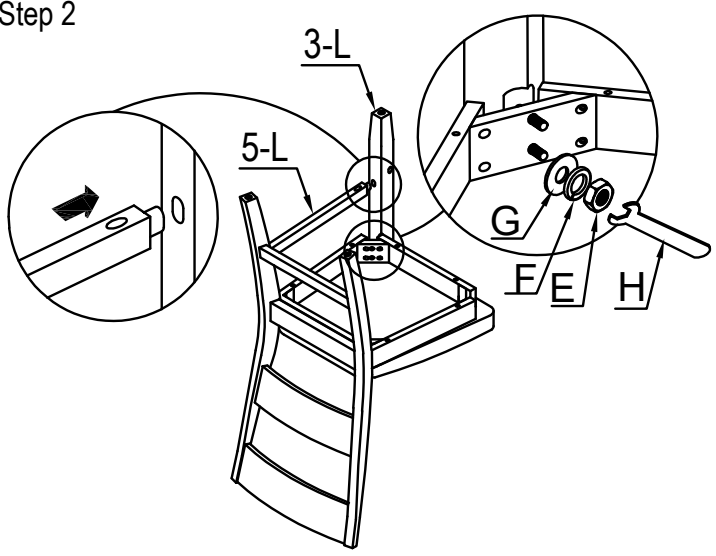
|   |   |  |              |
|---|---|--|--------------|
| A |  | Bolt 1/4"*20*3-1/8"<br>(chair back leg corner) | 4 PCS/PIEZAS |
| B |  | Bolt 1/4"*20*1-1/2"<br>(chair back center)     | 2 PCS/PIEZAS |
| C |  | Allen key 4*60mm                               | 1 PC/PIEZA   |
| D |  | Screw 45mm                                     | 6 PCS/PIEZAS |
| E |  | Hex Nut 5/16"*1/2"                             | 4 PCS/PIEZAS |
| F |  | Lock Washer 5/16"*13mm                         | 4 PCS/PIEZAS |
| G |  | Flat Washer 5/16"*19mm                         | 4 PCS/PIEZAS |
| H |  | Wrench   | 1 PC/PIEZA   |

## ASSEMBLY INSTRUCTION INSTRUCCIONES

**Step 1**

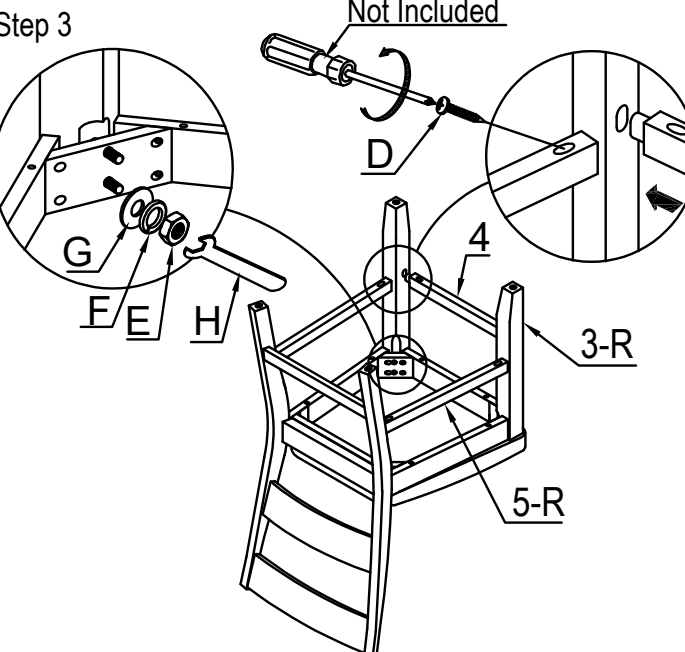


**Step 2**

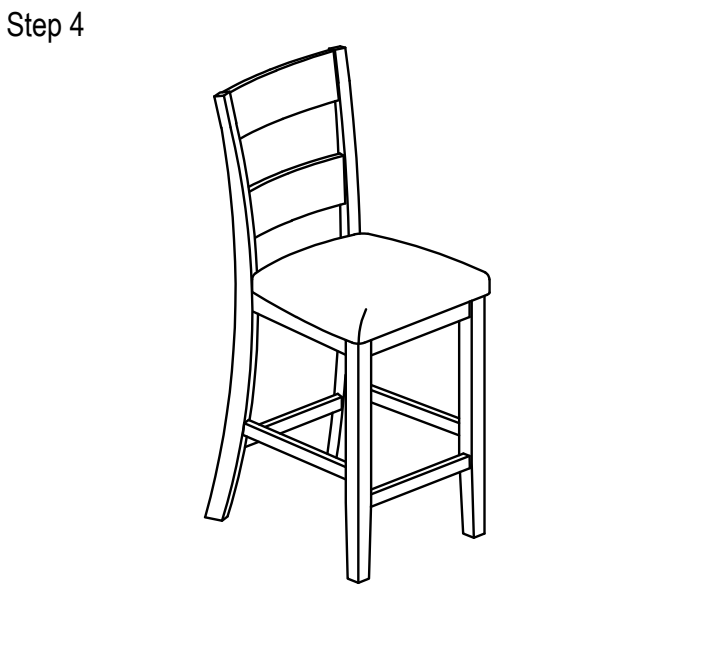


**Step 3**

Not Included



**Step 4**



DO NOT TIGHTEN ALL BOLTS UNTIL COMPLETELY ASSEMBLED.  
NO APRETER LOS TORNILLOS HASTA ARMAR COMPLETAMENTE.