


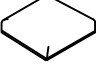
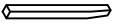
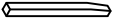

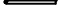

ASSEMBLED INSTRUCTIONS






2620S-24 Counter high chair

INSTRUCCIONES

PARTS LIST

LISTA DE PARTES

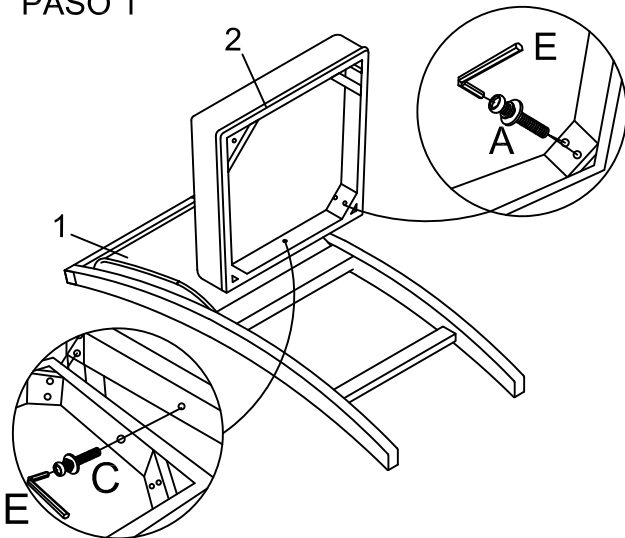
1	BACKREST		1PC/PIEZA
2	CUSHION		1PC/PIEZA
3	FRONT LEFT LEGS		1PC/PIEZA
4	FRONT RIGHT LEGS		1PC/PIEZA
5	FACING LEFT STRETCHER		1PC/PIEZA
6	FACING RIGHT STRETCHER		1PC/PIEZA
7	FRONT STRETCHER		1PC/PIEZA

A		BOLT 5/16**3"	4PCS/PIEZAS
B		BOLT 5/16**2"	4PCS/PIEZAS
C		BOLT 5/16**1-1/2"	1PC/PIEZA
D		CREWS Ø8*55mm	6PCS/PIEZAS
E		ALLEN KEY 4mm	1PC/PIEZA

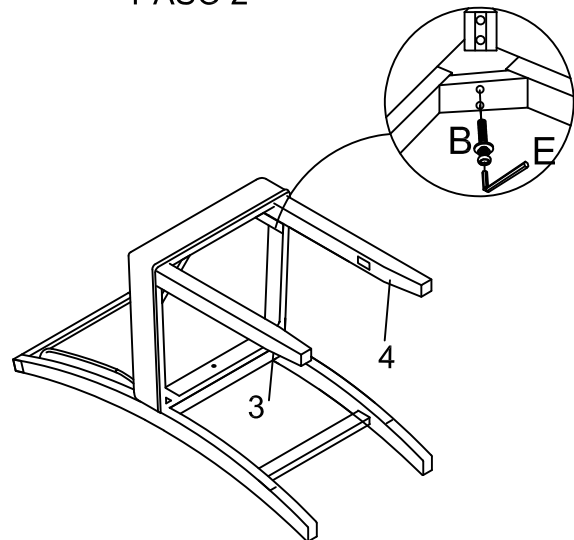
ASSEMBLED INSTRUCTIONS

LISTA DE PARTES

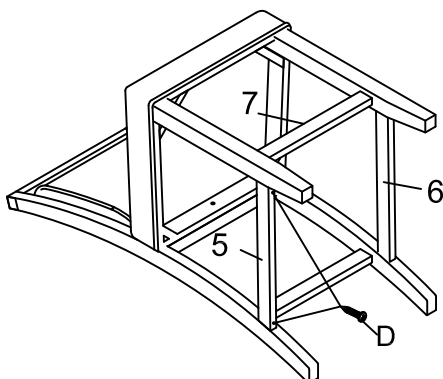
STEP 1
PASO 1



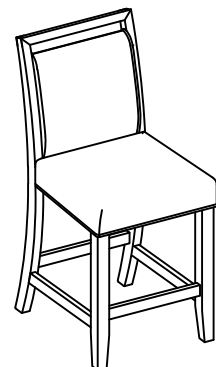
STEP 2
PASO 2



STEP 3
PASO 3



STEP 4
PASO 4



DO NOT TIGHTEN ALL BOLTS UNTIL COMPLETELY ASSEMBLED
NO APRETAR LOS TORNILLOS HASTA ARMAR COMPLETAMENTE