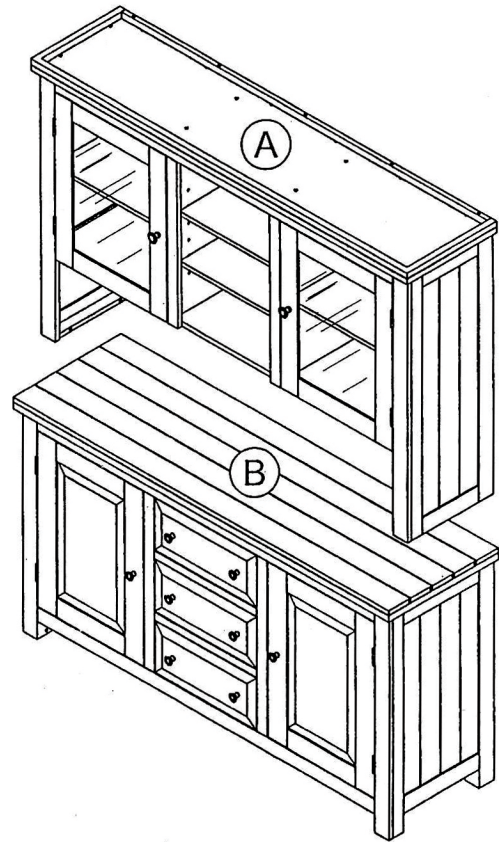


ASSEMBLY INSTRUCTIONS #2428

HUTCH

A 1X

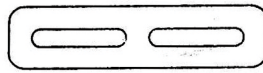
B 1X



aa = 4x



bb = 2x



cc = 1x

