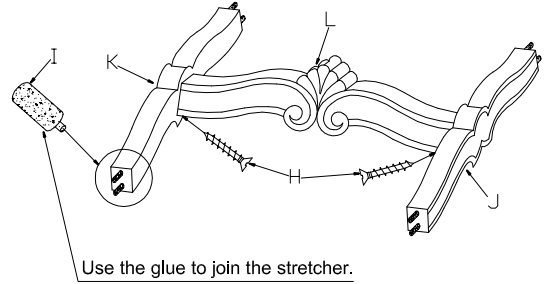


ASSEMBLY INSTRUCTIONS

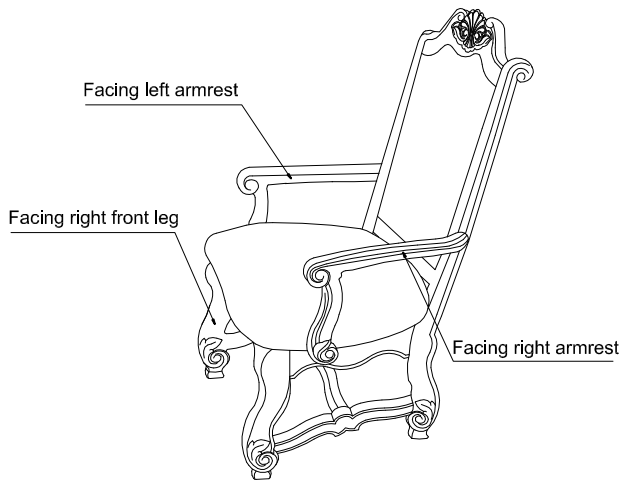
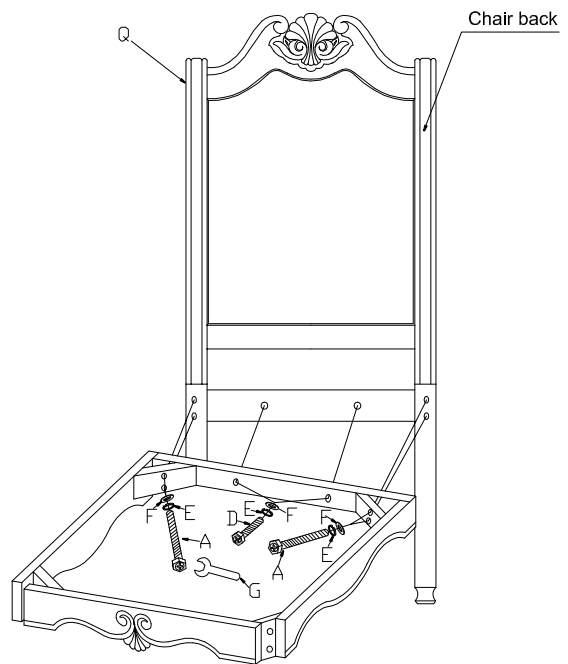
Do not tighten screws until completely Assembled

PARTS LIST				ARM CHAIR
A		Ø 5/16"*18*3"	BOLT	4
B		Ø 5/16"*18*2-1/2"	BOLT	4
C		Ø 5/16"*18*2"	BOLT	4
D		Ø 5/16"*18*1-1/2"	BOLT	2
E		Ø 5/16"	LOCK WASHER	14
F		Ø 5/16"	FLAT WASHER	14
G		Ø 5/16	WRENCH	1
H		Ø 8#*1-1/2"	SCREW	8
I		GLUE		1
J		FACING RIGHT STRETCHER		1
K		FACING LEFT STRETCHER		1
L		CENTER STRETCHER		1
M		FACING ARM(R)		1
N		FACING ARM(L)		1
□		FACING LEG(R) WITH GREEN MARK		1
P		FACING LEG(L) WITH RED MARK		1
Q		CHAIR BACK		1
R		CUSHION		1

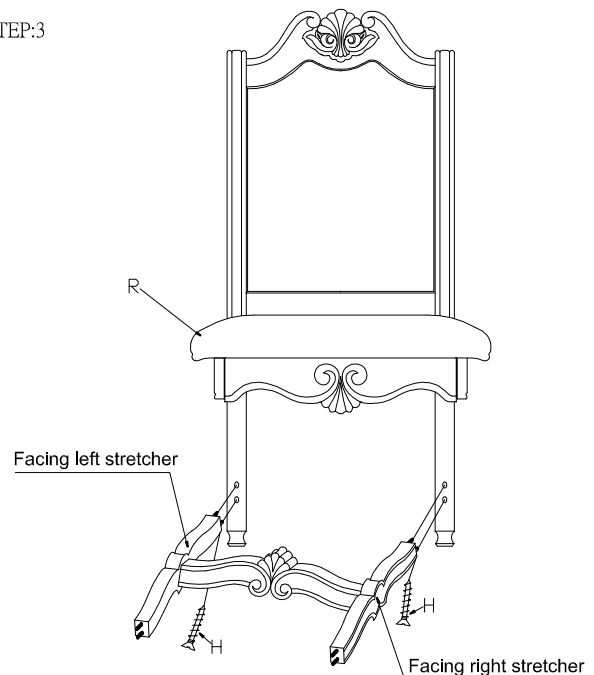
STEP:1



STEP:2



STEP:3



STEP:4

