



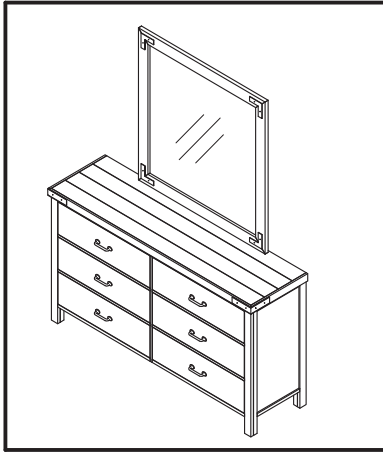
ASSEMBLY INSTRUCTIONS #2357-M

HARDWARE LIST

NO	SKETCH	HARDWARE	QTY
1		Plat Washer	8 pcs
2		Spring Washer	8 pcs
3		JCBC M6 x 40mm	8 pcs
4		Allen Key	1 pc

PART LIST

NO	DESCRIPTION	SKETCH	QTY
A	Mirror		1 pc
B	Support Mirror		2 pcs



ASSEMBLY STEP

