



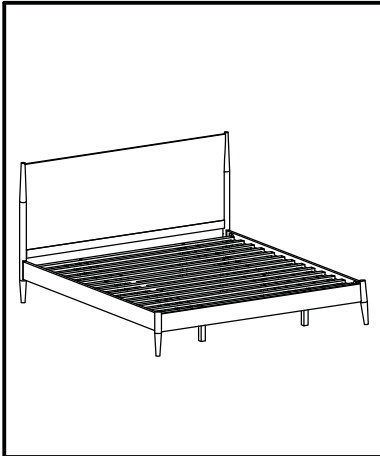
ASSEMBLY INSTRUCTIONS #2336-EK

HARDWARE LIST

NO	SKETCH	HARDWARE	QTY
1		Bolt M8 x 80mm	8 pcs
2		Hexagonal Nut M8	8 pcs
3		Curve Ring	8 pcs
4		Screw Ø8 x 1 1/4"	26 pcs
5		Wrench Key	1 pc

PART LIST

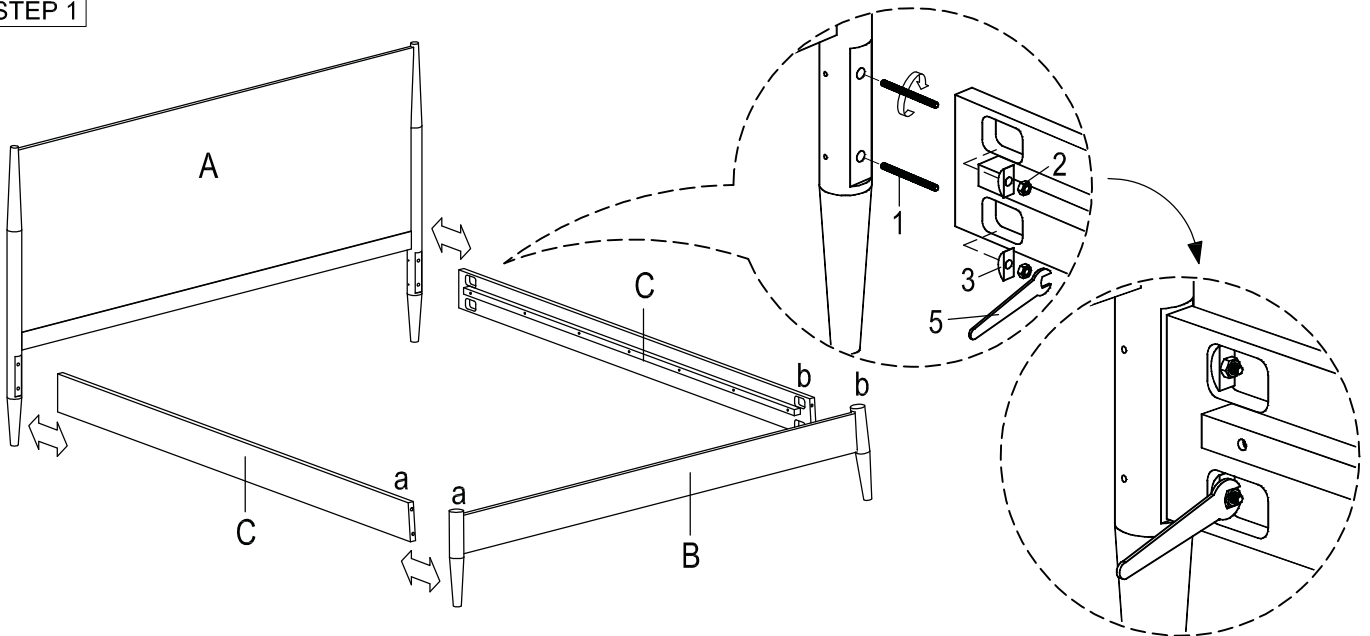
NO	DESCRIPTION	SKETCH	QTY
A	Headboard		1 pc
B	Footboard		1 pc
C	Siderail		2 pcs
D	Slat Matras		1 set
E	Center & Support Leg		2 set



BEFORE YOU START ASSEMBLING, PLEASE MAKE SURE ALL PARTS & HARDWARE ARE INCLUDED IN BOX

ASSEMBLY STEP

STEP 1



STEP 2

