



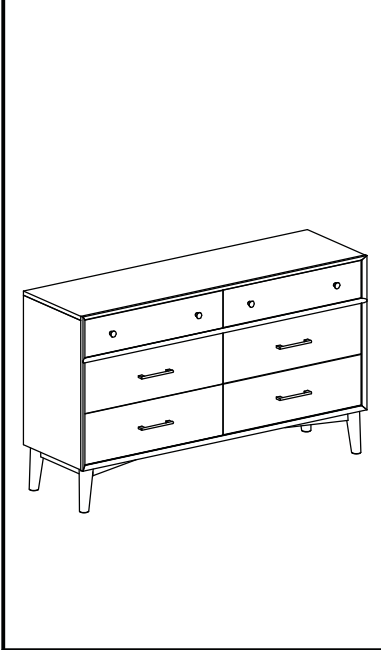
ASSEMBLY INSTRUCTIONS #2336-D6

HARDWARE LIST

NO	SKETCH	HARDWARE	QTY
1		JCBC M6 x 40mm	10 pcs
2		Flat Washer	10 pcs
3		Spring Washer	10 pcs
4		Allen Key	1 pc
5		Screw Ø8 x 2"	1 pc
6		Screw Ø8 x 3/4"	1 pc
7		Metal Anchor	2 pcs
8		Restrain Strap	1 pc
9		Fisher	1 pc

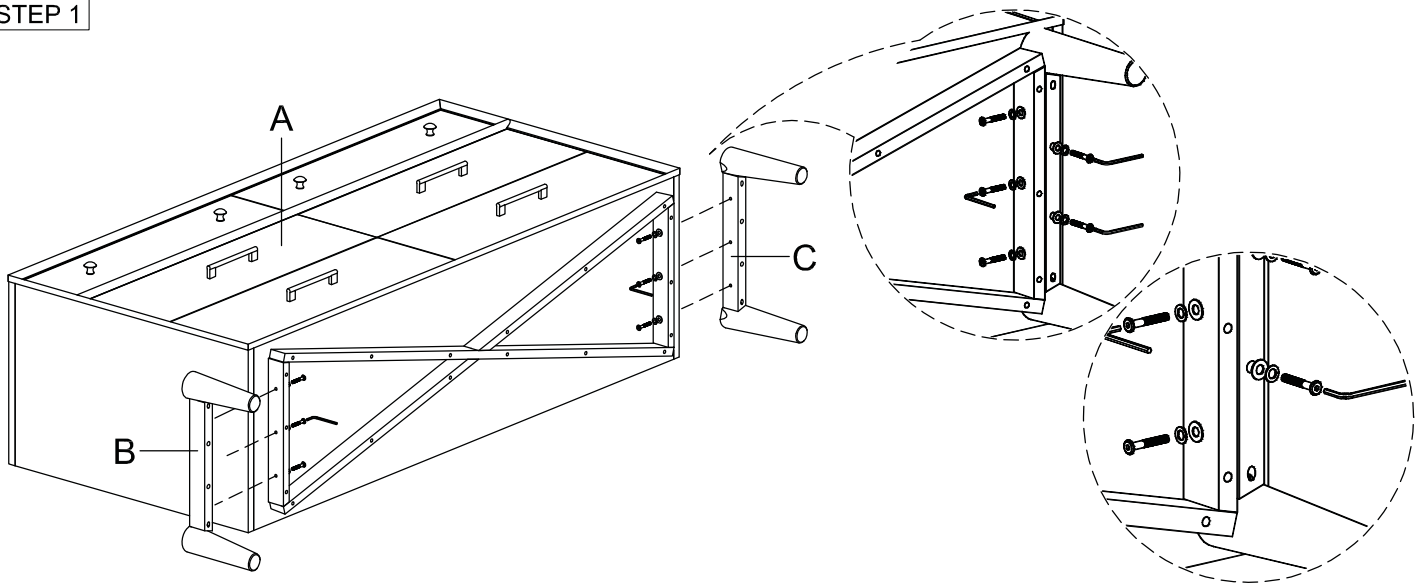
PART LIST

NO	DESCRIPTION	SKETCH	QTY
A	Body		1 pc
B	Left Leg		1 pc
C	Right Leg		1 pc
			Phillip Headscrew driver (not included)



ASSEMBLY STEP

STEP 1



STEP 2

