



# ASSEMBLY INSTRUCTIONS #2336-C

## HARDWARE LIST

| NO | SKETCH | HARDWARE        | QTY    |
|----|--------|-----------------|--------|
| 1  |        | JCBC M6 x 40mm  | 10 pcs |
| 2  |        | Flat Washer     | 10 pcs |
| 3  |        | Spring Washer   | 10 pcs |
| 4  |        | Allen Key       | 1 pc   |
| 5  |        | Screw Ø8 x 2"   | 1 pc   |
| 6  |        | Screw Ø8 x 3/4" | 1 pc   |
| 7  |        | Metal Anchor    | 2 pcs  |
| 8  |        | Restrain Strap  | 1 pc   |
| 9  |        | Fisher          | 1 pc   |

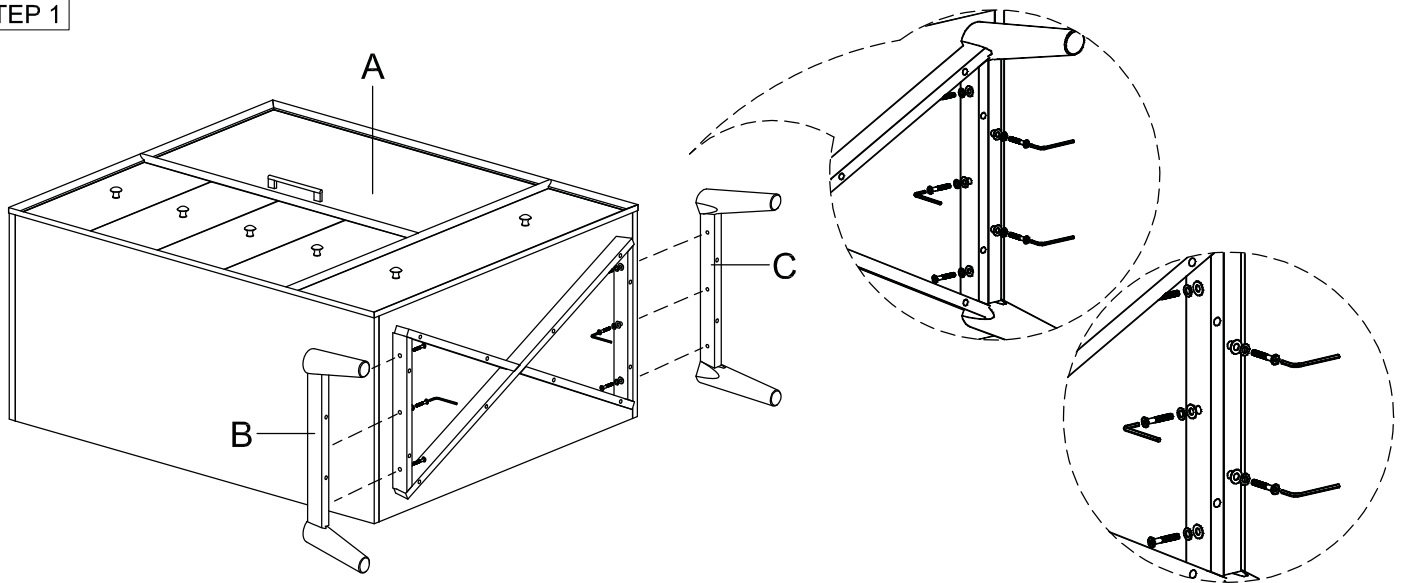
## PART LIST

| NO | DESCRIPTION | SKETCH | QTY  |
|----|-------------|--------|--|
| A  | Body        |        | 1 pc   |
| B  | Left Leg    |        | 1 pc   |
| C  | Right Leg   |        | 1 pc   |
|    |             |        | Phillip Headscrew driver<br>( not included ) |



## ASSEMBLY STEP

### STEP 1



### STEP 2

