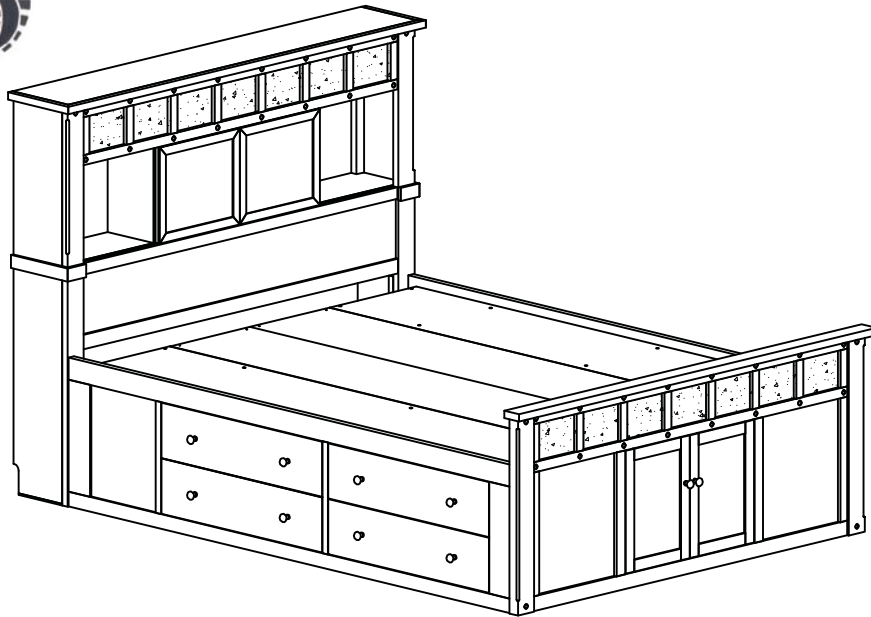


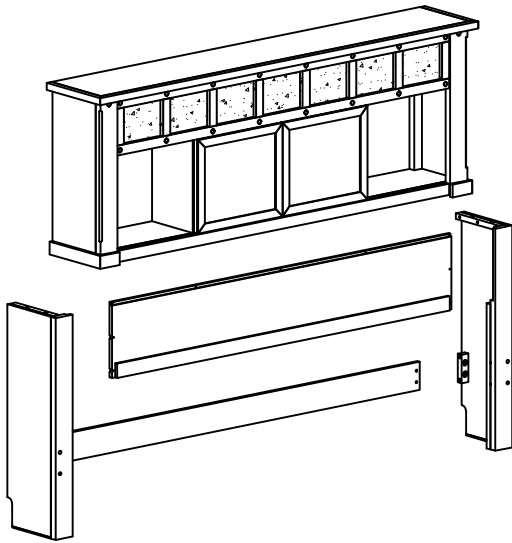


ASSEMBLY INSTRUCTIONS #2334-SQH

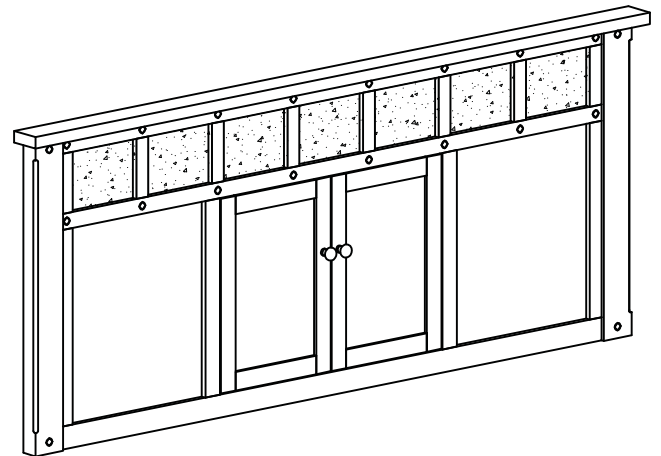


Carefully remove and layout all parts. Familiarize yourself with all. Exhibits and diagrams to facilitate the assembly of your bed

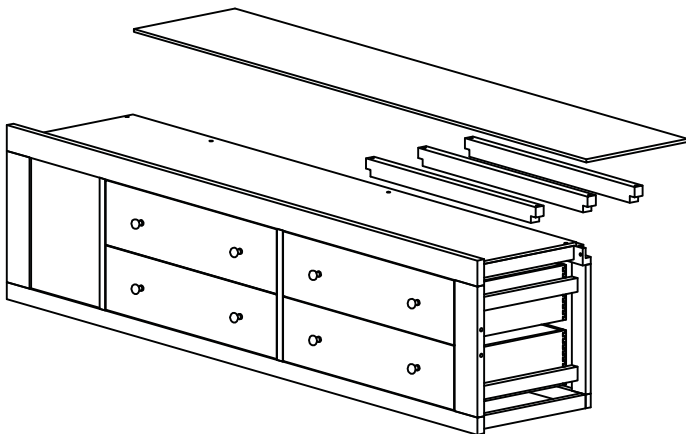
Headboard Part



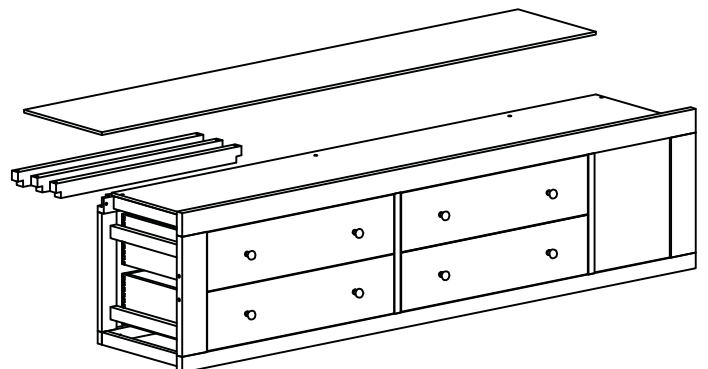
Footboard Part



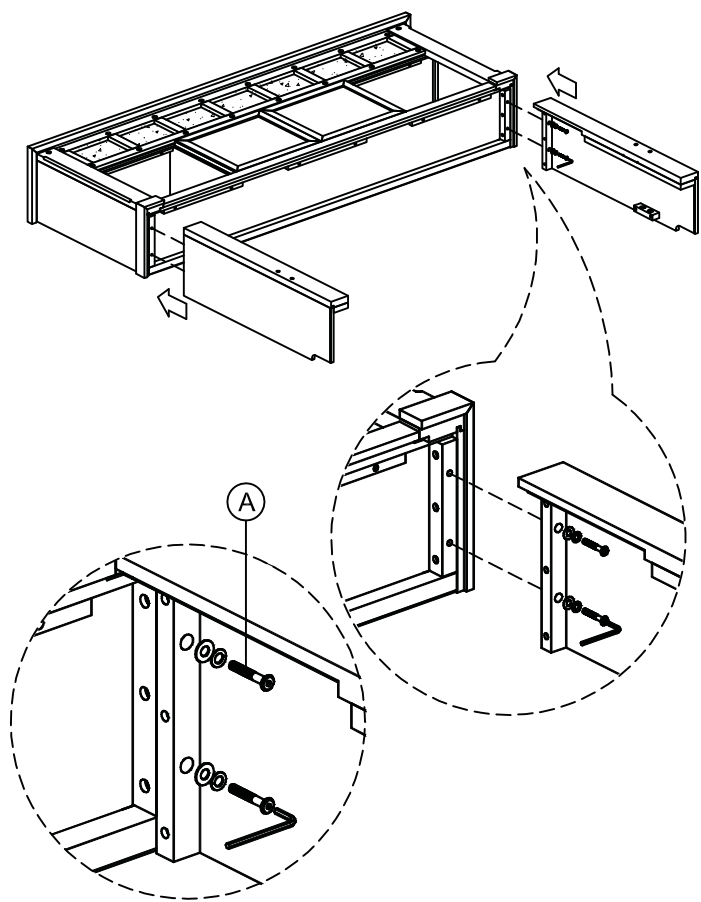
Side Rail Left + Matras Panel + Bed Slats



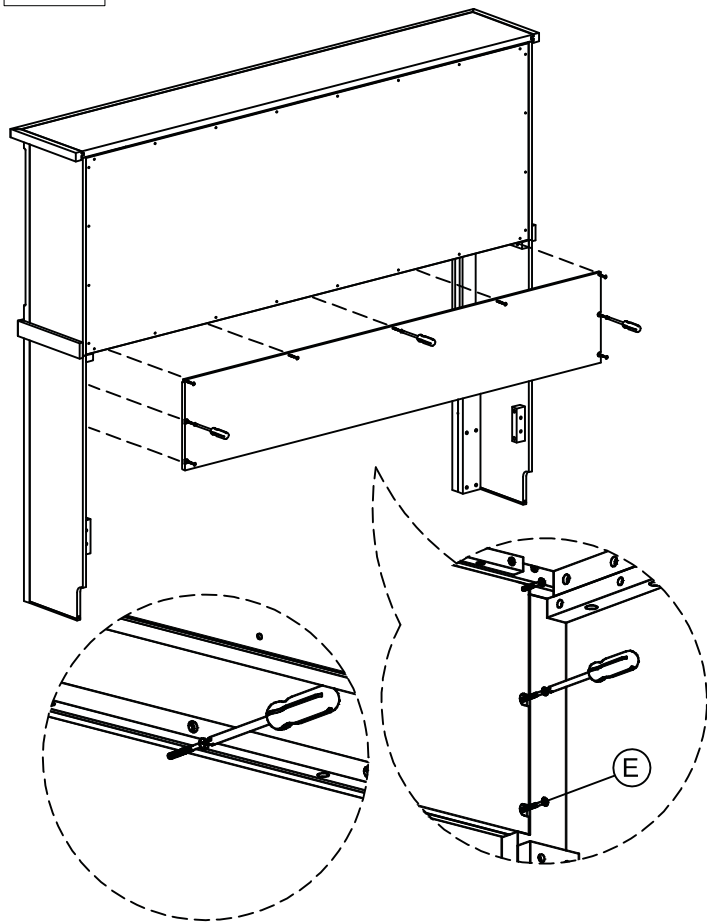
Side Rail Right + Matras Panel + Bed Slats



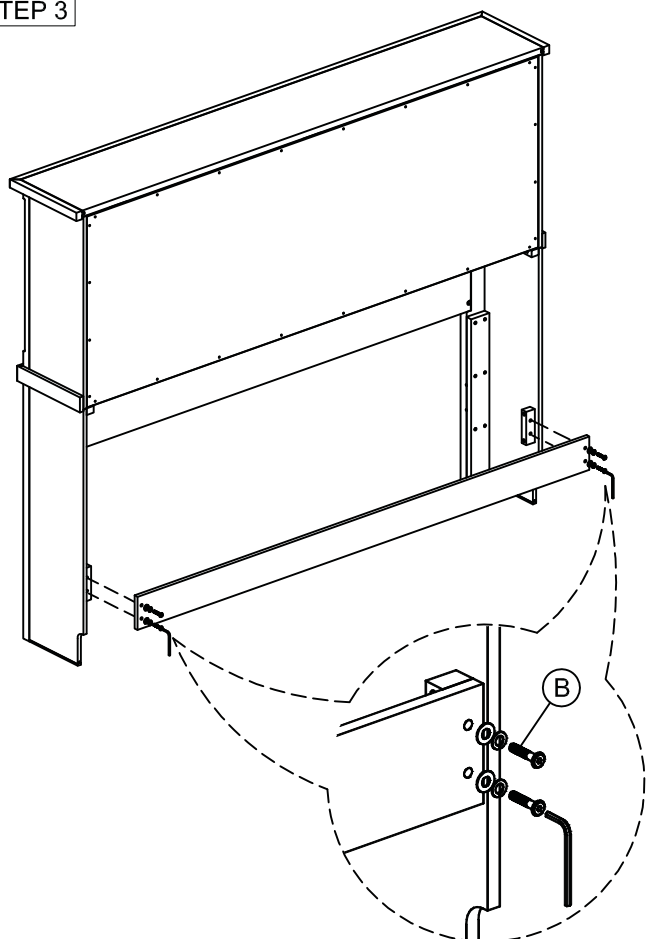
STEP 1



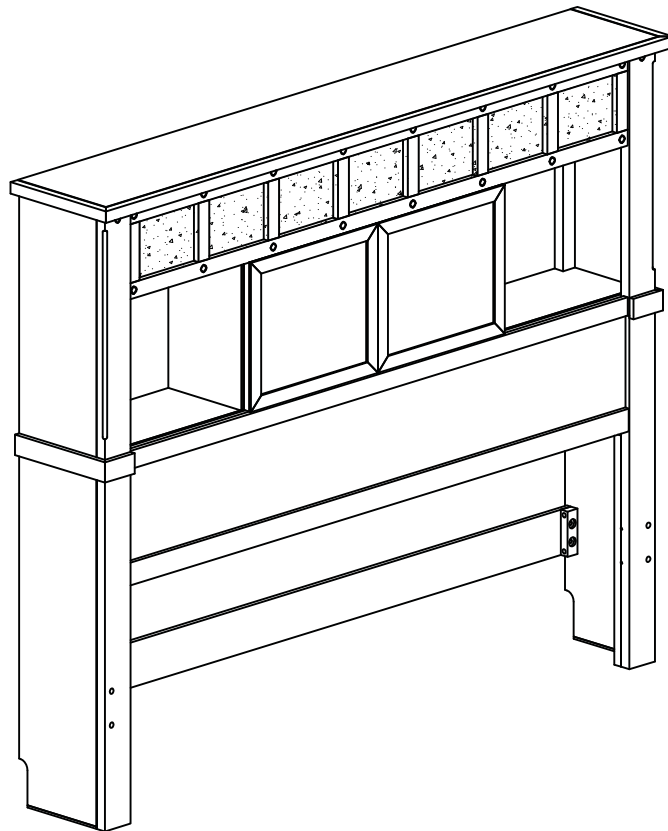
STEP 2



STEP 3



STEP 4



A. JCBC M6 x 45mm (4pcs)

B. JCBC M6 x 25mm (4pcs)

C. Spring Washer M6 (8pcs)

D. Washer Plat M6 (8pcs)

E. Screw Ø8 x 3/4" (9pcs)

F. Allen Key M6 (1pc)

