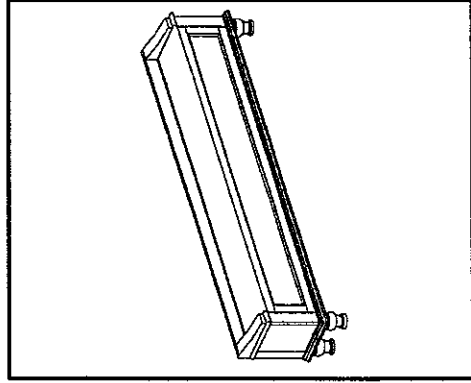




# ASSEMBLY INSTRUCTION #2321-QFS



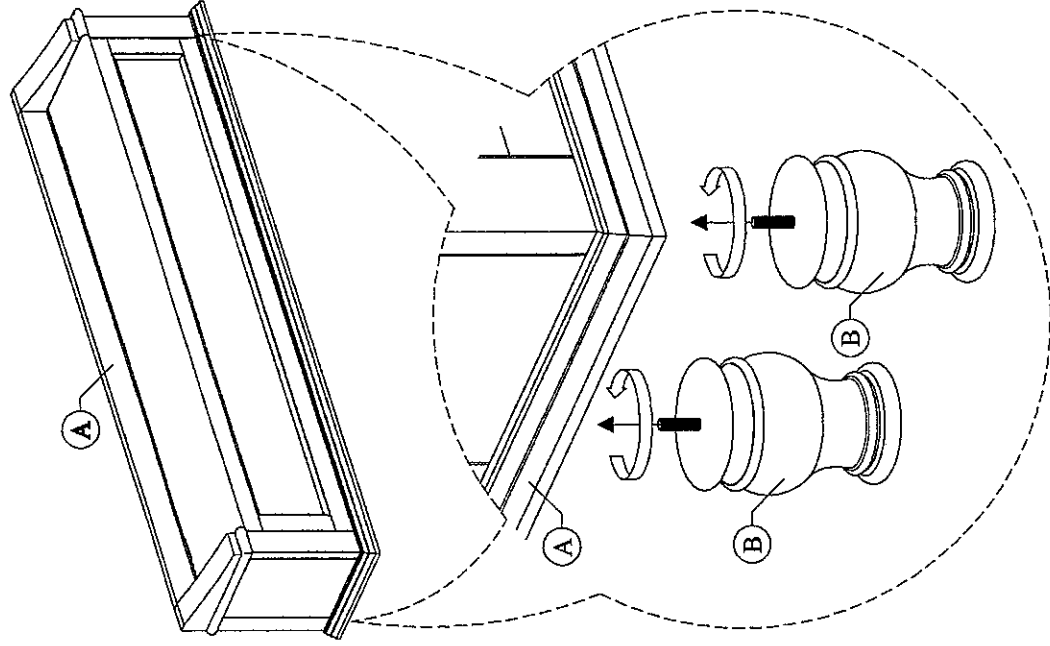
## PART LIST

NO	DESCRIPTION	SKETCH	QTY
A	Footboard		1 pc
B	Footboard Legs		4 pcs

## ASSEMBLY STEP

BEFORE YOU START ASSEMBLING, PLEASE MAKE SURE ALL PARTS & HARDWARE ARE INCLUDED IN BOX

STEP 1



FINISH

