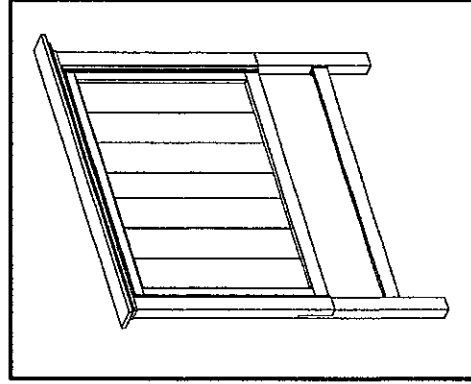




ASSEMBLY INSTRUCTION #2321-QH

HARDWARE LIST

NO	SKETCH	HARDWARE	QTY
1		JCBC M8 x 40mm	12 pcs
2		JCBC M6 x 40mm	2 pcs
3		Flat Washer M8	12 pcs
4		Spring Washer M8	12 pcs
5		Flat Washer M6	2 pcs
6		Spring Washer M6	2 pcs
7		Allen Key L4	1 pcs



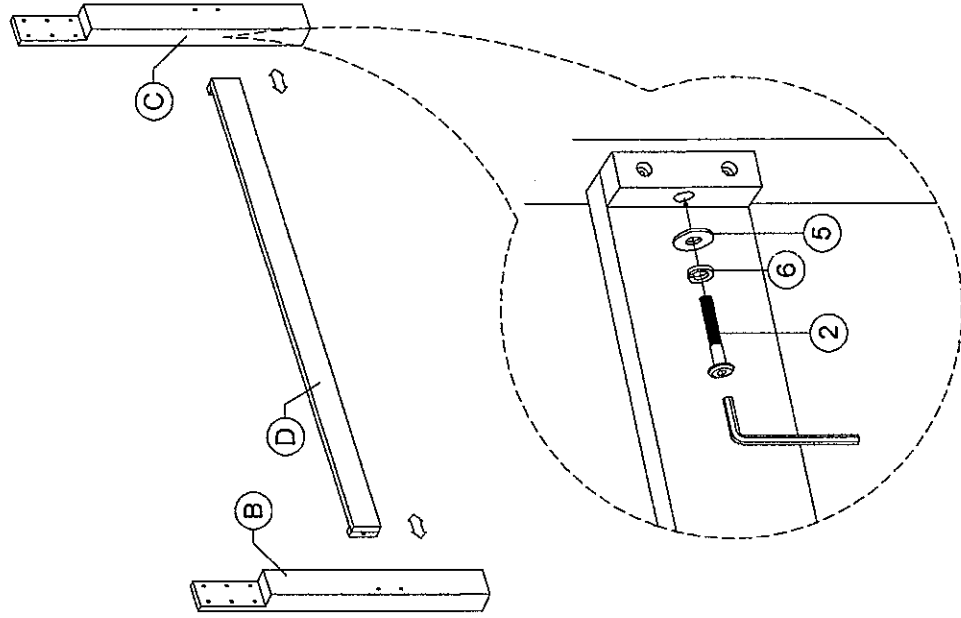
ASSEMBLY STEP

PART LIST

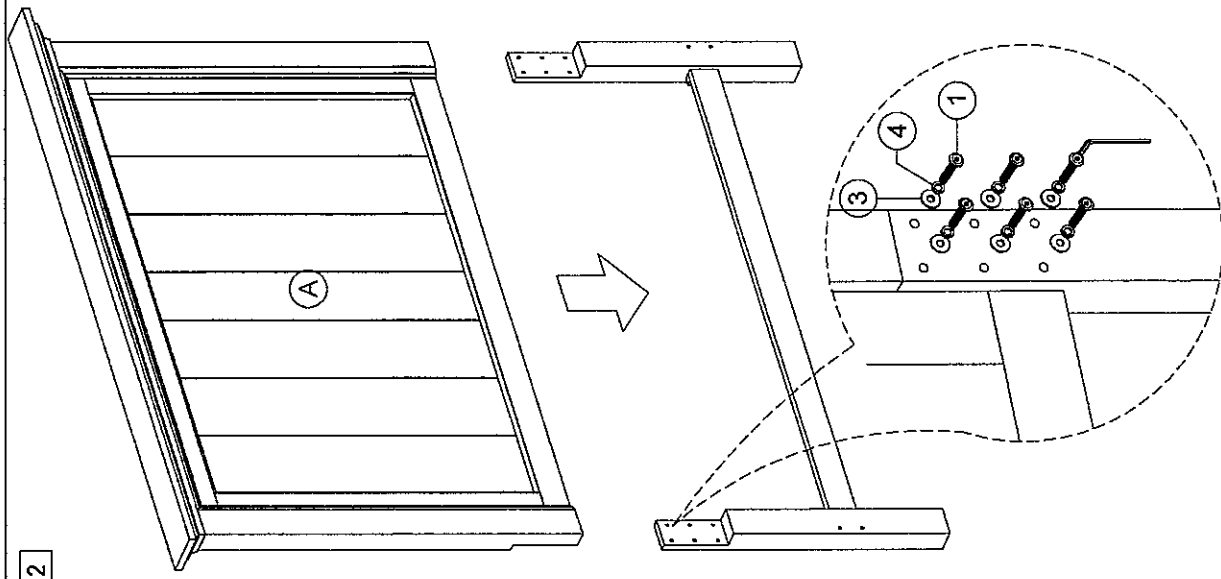
NO	DESCRIPTION	SKETCH	QTY
A	Headboard		1 pc
B	Left Leg		1 pc
C	Right Leg		1 pc
D	Stretcher		1 pc

BEFORE YOU START ASSEMBLING, PLEASE MAKE SURE ALL PARTS & HARDWARE ARE INCLUDED IN BOX

STEP 1



STEP 2



WARNING : Do not tighten up the bolt in one side for this step, until all bolts and parts is properly assembled.