

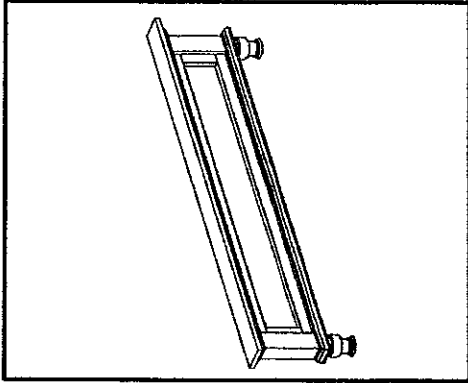




ASSEMBLY INSTRUCTION #2321-QF

PART LIST

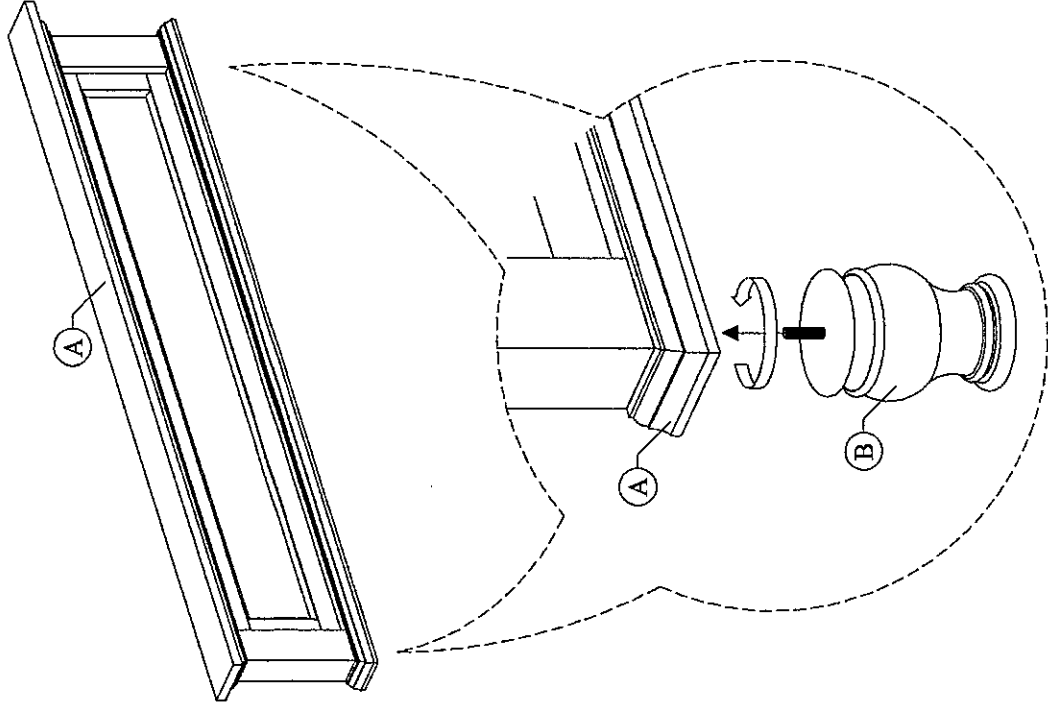
NO	DESCRIPTION	SKETCH	QTY
A	Footboard		1 pc
B	Footboard Legs		2 pcs



ASSEMBLY STEP

BEFORE YOU START ASSEMBLING, PLEASE MAKE SURE ALL PARTS & HARDWARE ARE INCLUDED IN BOX

STEP 1



FINISH

