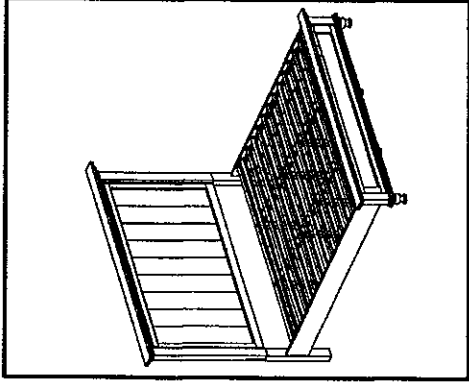




ASSEMBLY INSTRUCTION #2321-EKR

HARDWARE LIST

NO	SKETCH	HARDWARE	QTY
1		Bolt M8 x 80mm	8 pcs
2		Hexagonal Nut M8	8 pcs
3		Curve Ring	8 pcs
4		Screw Ø8 x 1 1/4"	28 pcs
5		Wrench Key	1 pc



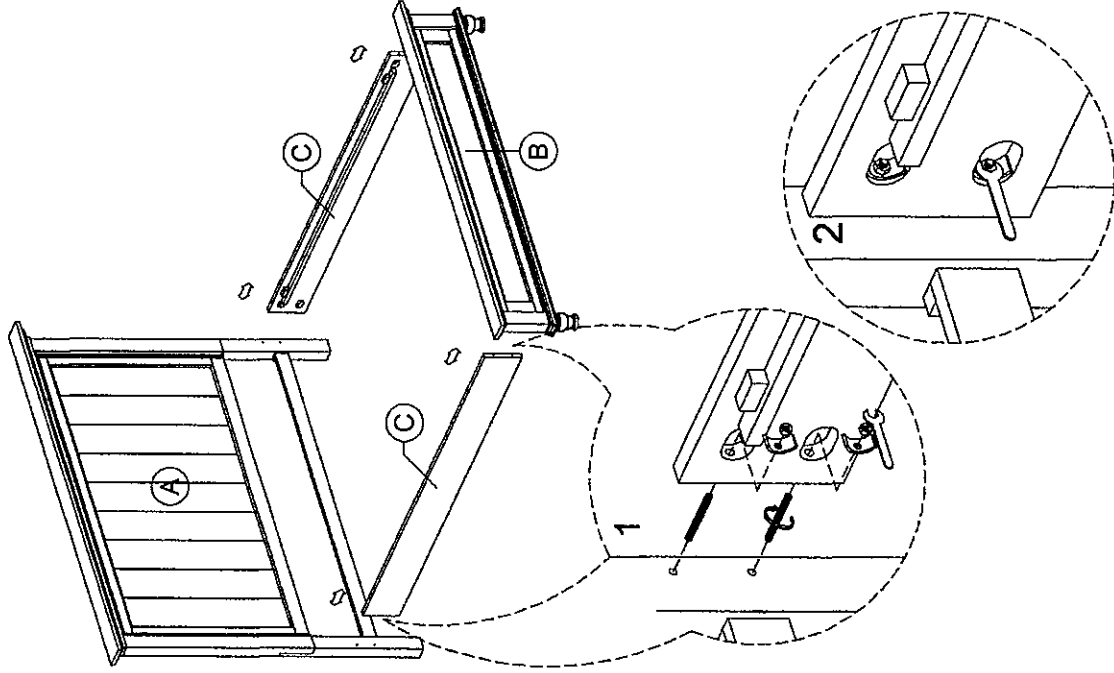
ASSEMBLY STEP

BEFORE YOU START ASSEMBLING, PLEASE MAKE SURE ALL PARTS & HARDWARE ARE INCLUDED IN BOX

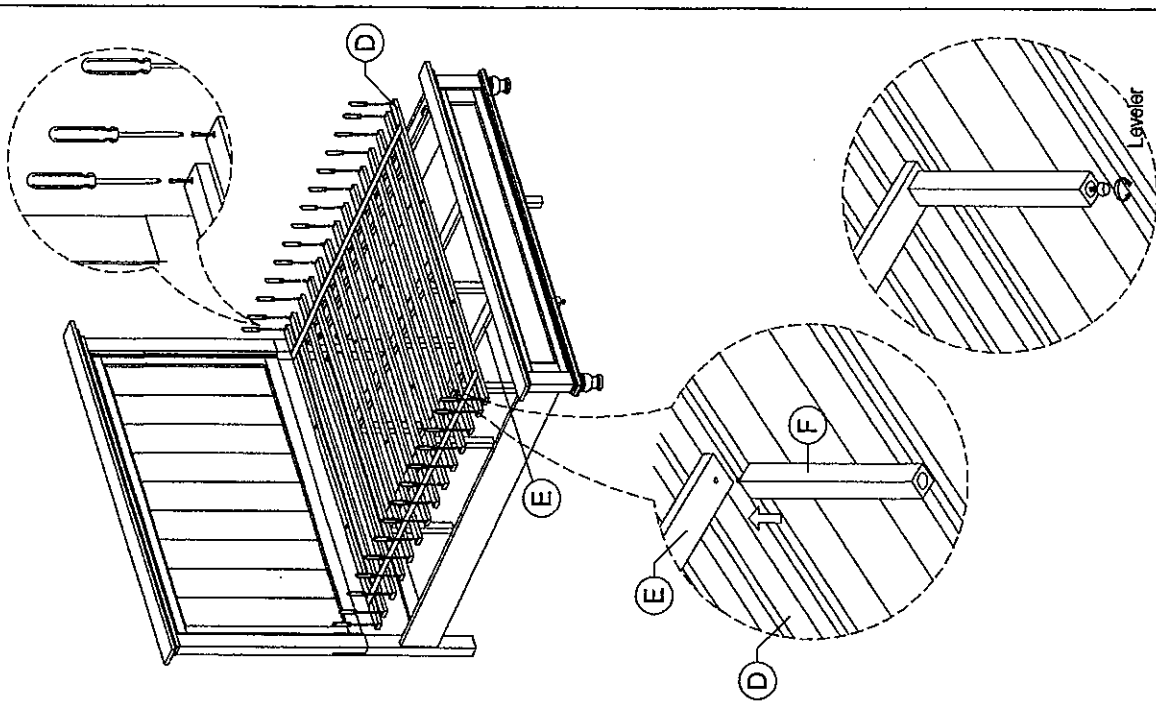
PART LIST

NO	DESCRIPTION	SKETCH	QTY
A	Ass. Headboard		1 pc
B	Ass. Footboard		1 pc
C	Side Rail		2 pc
D	Slat Matras Top		14 pc
E	Slat Matras Bottom		2 pc
F	Leg Center Matras		8 pc

STEP 1



STEP 2



WARNING : Do not tighten up the bolt in one side for this step, until all bolts and parts is properly assembled.