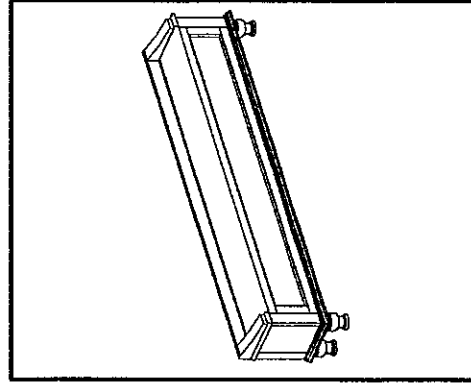




ASSEMBLY INSTRUCTION #2321-EKFS

PART LIST

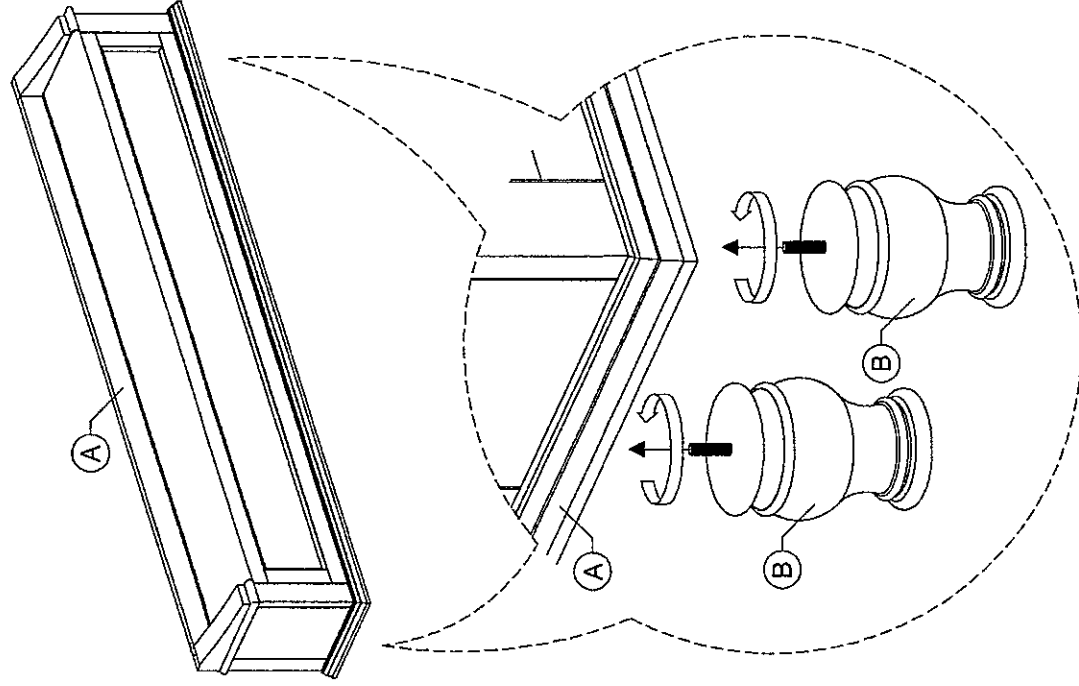


NO	DESCRIPTION	SKETCH	QTY
A	Footboard Storage		1 pc
B	Footboard Leg		4 pc

ASSEMBLY STEP

BEFORE YOU START ASSEMBLING, PLEASE MAKE SURE ALL PARTS & HARDWARE ARE INCLUDED IN BOX

STEP 1



FINISH

