



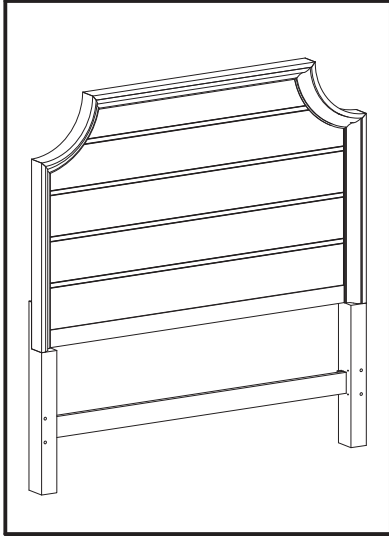
ASSEMBLY INSTRUCTIONS #2320-QH

HARDWARE LIST

NO	SKETCH	HARDWARE	QTY
1		JCBC M6 x 40mm	12 pcs
2		JCBC M6 x 35mm	4 pcs
3		Flat Washer M6	16 pcs
4		Spring Washer M6	16 pcs
5		Allen Key L4	1 pc

PART LIST

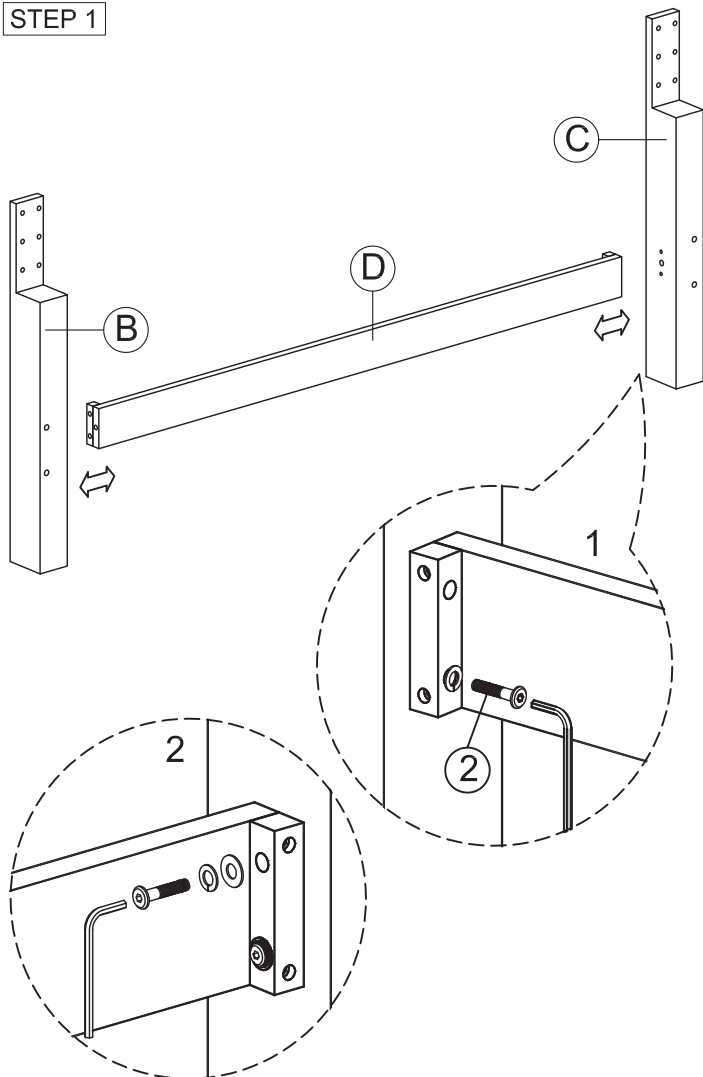
NO	DESCRIPTION	SKETCH	QTY
A	Headboard		1 pc
B	Left Leg		1 pc
C	Right Leg		1 pc
D	Stretcher		1 pc



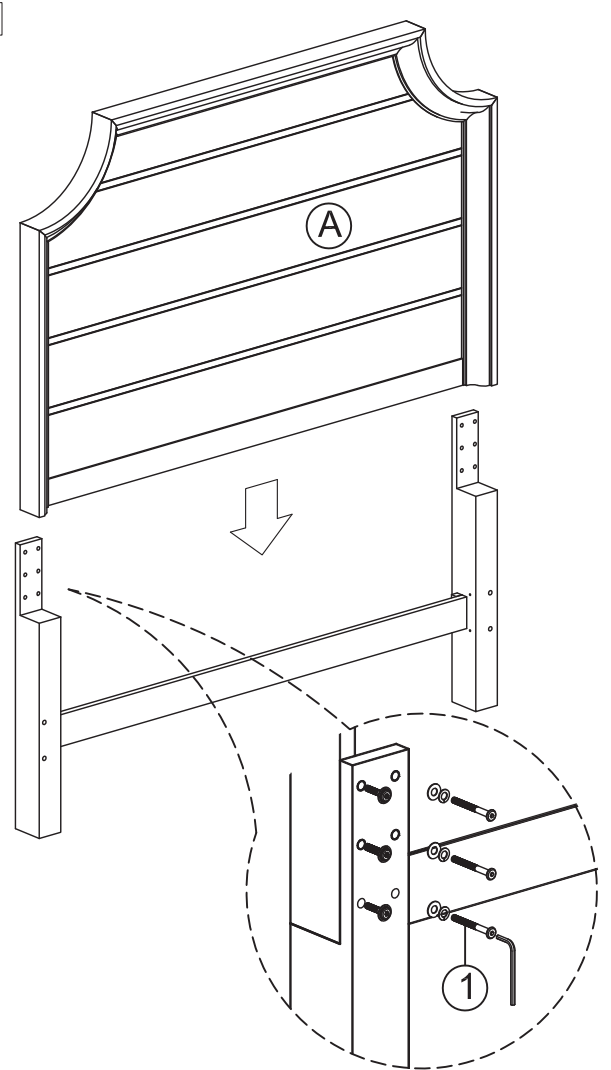
ASSEMBLY STEP

BEFORE YOU START ASSEMBLING, PLEASE MAKE SURE ALL PARTS & HARDWARE ARE INCLUDED IN BOX

STEP 1



STEP 2



WARNING : Do not tighten up the bolt in one side for this step, until all bolt and part is properly assembled.