



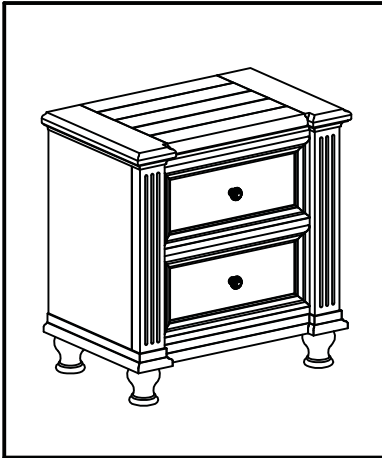
ASSEMBLY INSTRUCTIONS #2308-N

HARDWARE LIST

NO	SKETCH	HARDWARE	QTY
1		Screw $\varnothing 8 \times 2''$	1 pc
2		Screw $\varnothing 8 \times 3/4''$	1 pc
3		Metal Anchor	2 pcs
4		Restrain Strap	1 pc
5		Fisher	1 pc
6		Phillip Headscrew driver (not included)	

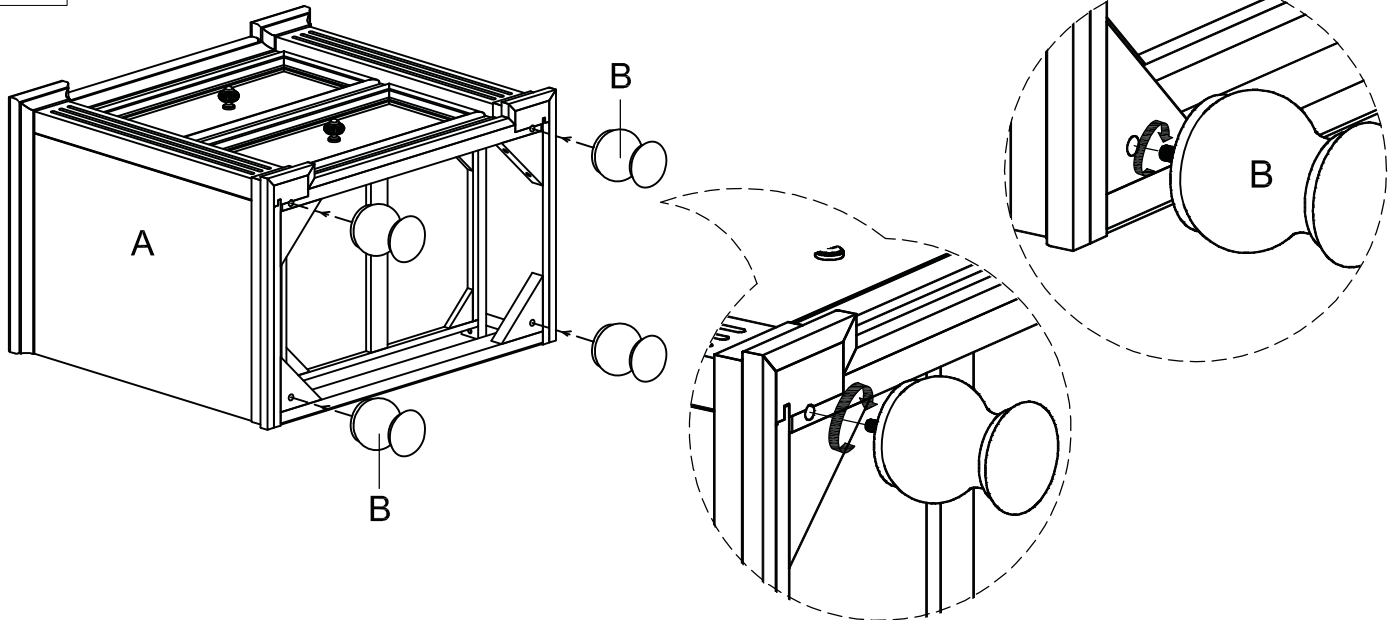
PART LIST

NO	DESCRIPTION	SKETCH	QTY
A	Body		1 pc
B	Leg		4 pcs



ASSEMBLY STEP

STEP 1



STEP 2

