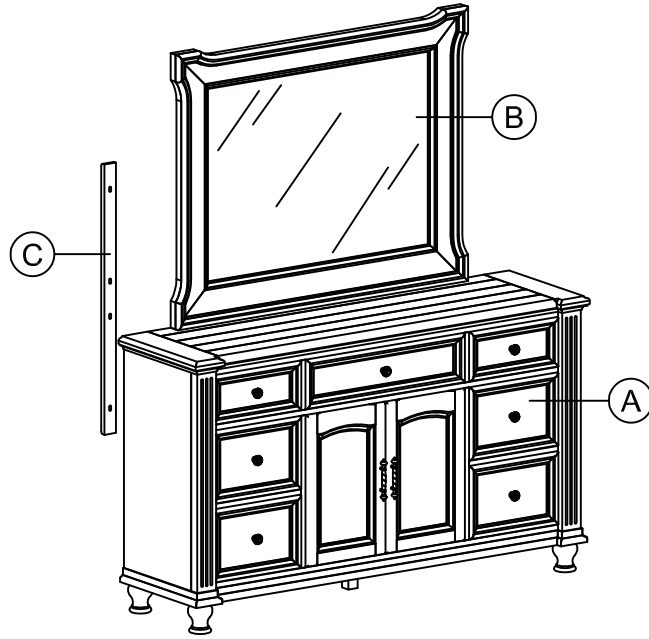


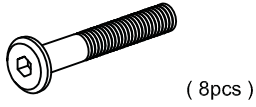


# ASSEMBLY INSTRUCTIONS #2308-D & 2308-M



- A 1pc
- B 1pc
- C 2pcs

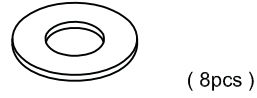
D. Assembling Bolt



E. Spring Washer



F. Flat Washer



G. Allen Key

