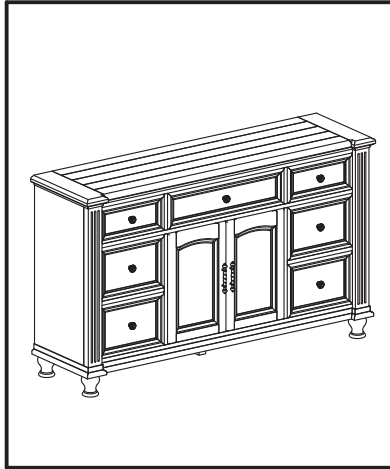




ASSEMBLY INSTRUCTIONS #2308-D



HARDWARE LIST

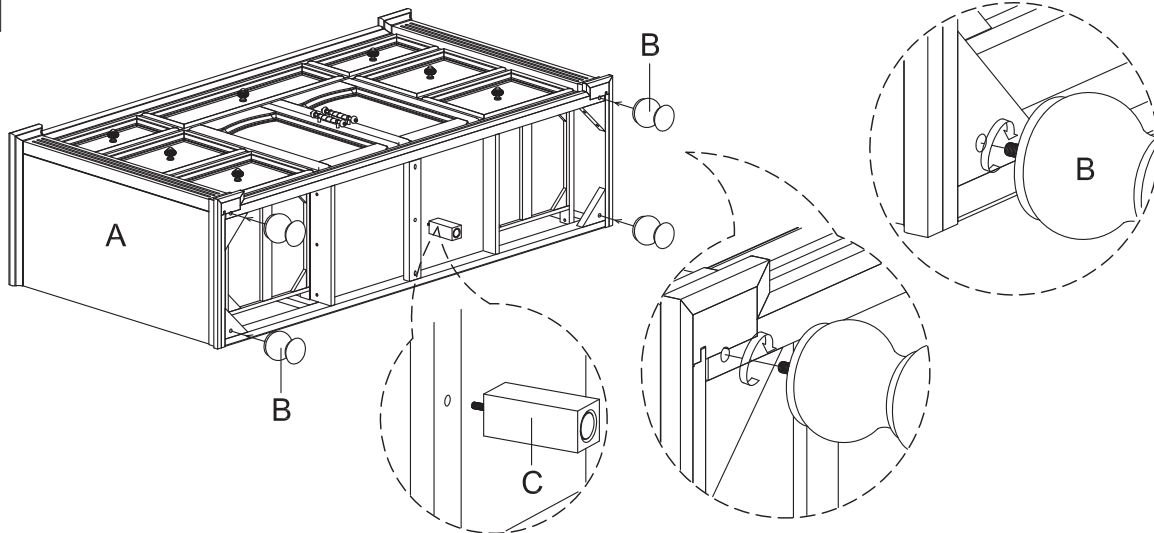
NO	SKETCH	HARDWARE	QTY
1		Screw Ø8 x 2"	1 pc
2		Screw Ø8 x 3/4"	1 pc
3		Metal Anchor	2 pcs
4		Restrain Strap	1 pc
5		Fisher	1 pc
6		Phillip Headscrew driver (not included)	

PART LIST

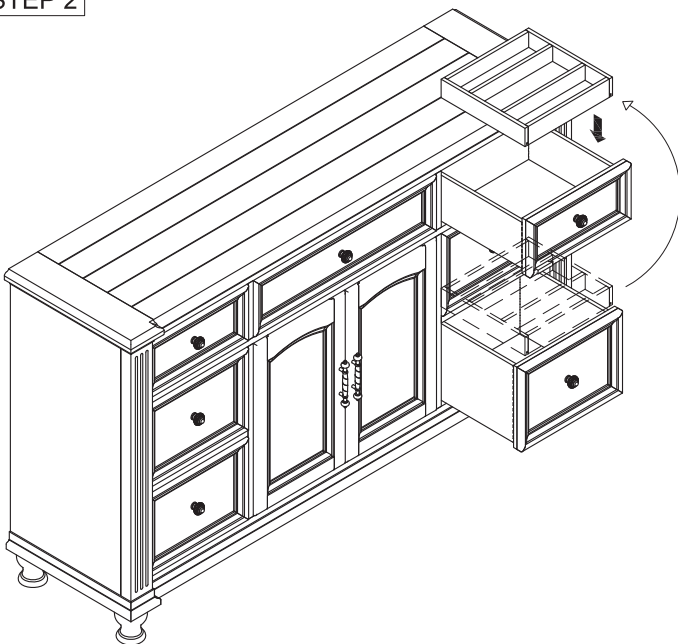
NO	DESCRIPTION	SKETCH	QTY
A	Body		1 pc
B	Leg		4 pcs
C	Leg Adjuster		1 pc
D	Jewelry Box		1 pc

ASSEMBLY STEP

STEP 1



STEP 2



(Move the jewelry box from the bottom drawer to the top drawer)

STEP 3

