


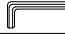


# ASSEMBLY INSTRUCTION INSTRUCCIONES


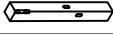

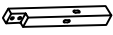
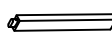
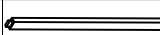
2275-BENCH (DINING BENCH)

2275-BENCH (BANCA DE COMEDOR)

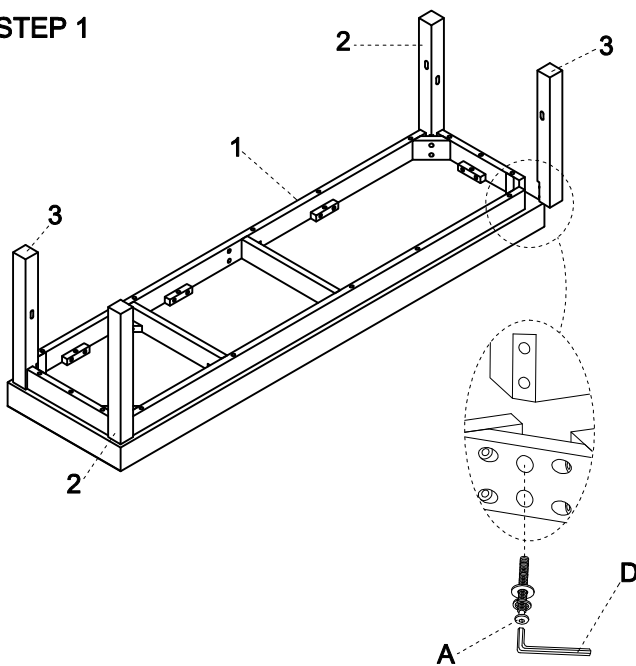
## HARDWARE LIST / LISTA DE TORNILLO

A		BOLT (Ø5/16" x 18 x 2-1/8") ( Left & Right Leg )	8PCS
B		BOLT (Ø5/16" x 18 x 1-1/2") ( Support leg )	4PCS
C		SCREW ( #8 x 1-3/4" )	14PCS
D		ALLEN KEY ( 4mm )	1PC

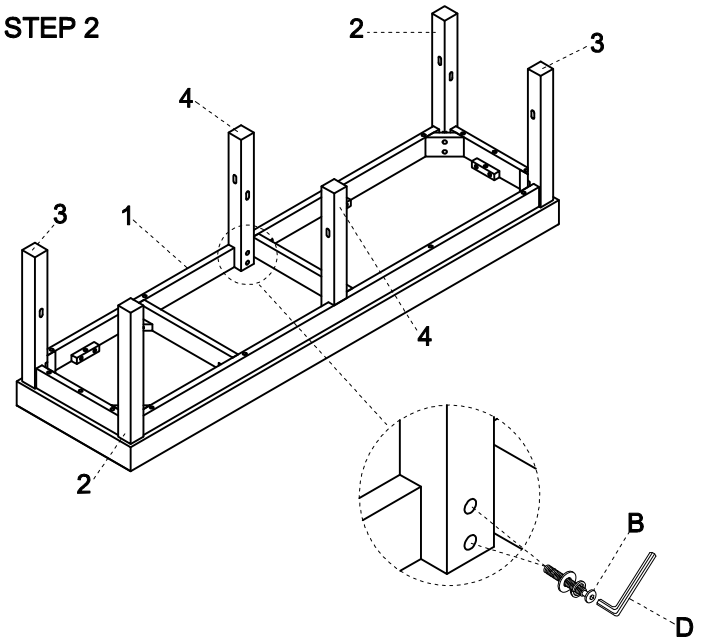
## PARTS LIST / LISTA DE PARTES

1		CUSHION SEAT WITH FRAME	1PC
2		LEFT LEG	2PCS
3		RIGHT LEG	2PCS
4		MIDDLE LEG	2PCS
5		SHORT STRETCHER	3PCS
6		LONG STRETCHER	4PCS

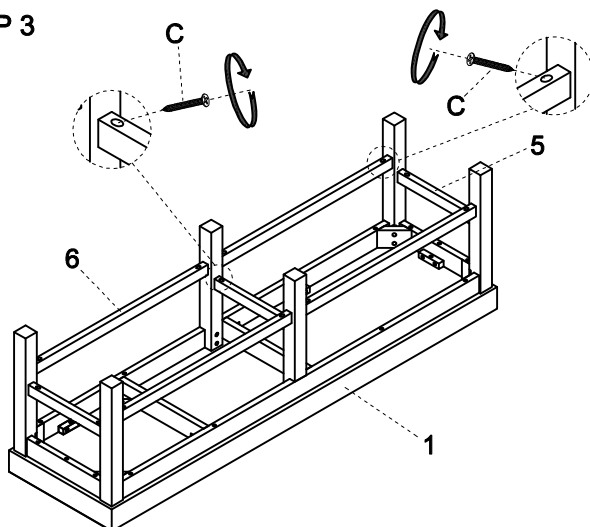
### STEP 1



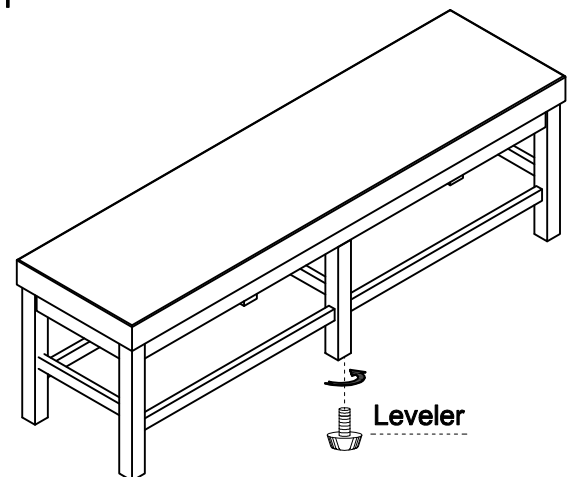
### STEP 2



### STEP 3



### FINISH



**DO NOT TIGHTEN ALL BOLTS UNTIL COMPLETELY ASSEMBLED !  
NO APRETER LOS TORNILLOS HASTA ARMAR COMPLETAMENTE**