






# ASSEMBLY INSTRUCTION

## INSTRUCCIONES





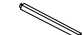

2270CL-S (DINING CHAIR)

2270CL-S (SILLA DE COMEDOR)

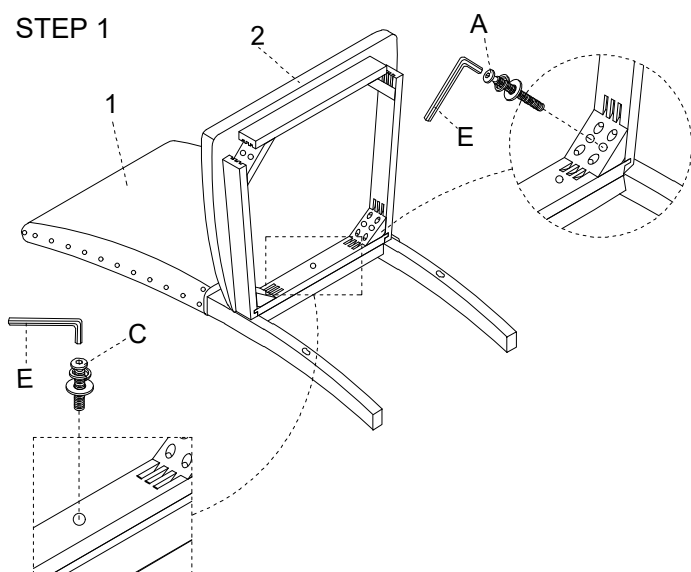
### HARDWARE LIST / LISTA DE TORNILLO

A		BOLT (Ø5/16" x 18 x 3-1/8") (Chair back leg corner)	4PCS
B		BOLT (Ø5/16" x 18 x 2-3/8") (Front leg)	4PCS
C		BOLT (Ø5/16" x 18 x 1-1/2") (Chair back center)	1PC
D		SCREW ( #8 x 1-1/2" )	6PCS
E		ALLEN KEY ( 4mm )	1PC

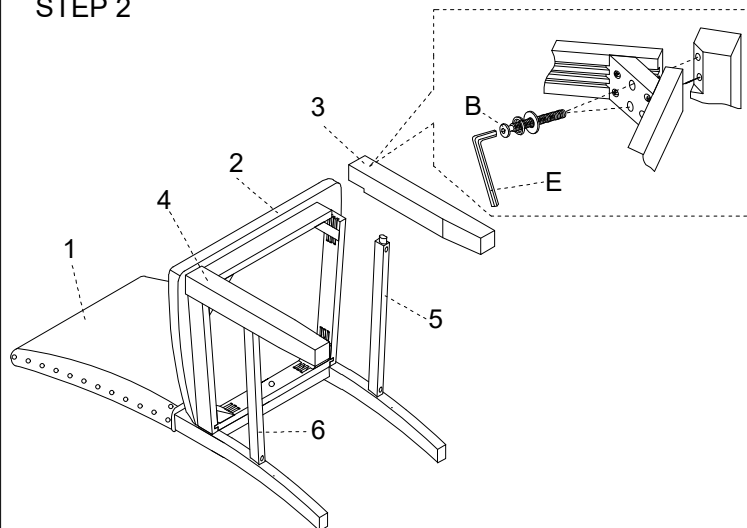
### PARTS LIST / LISTA DE PARTES

1		CHAIR BACK	1PC
2		CUSHION WITH SEAT FRAME	1PC
3		RIGHT FRONT LEG	1PC
4		LEFT FRONT LEG	1PC
5		RIGHT STRETCHER	1PC
6		LEFT STRETCHER	1PC

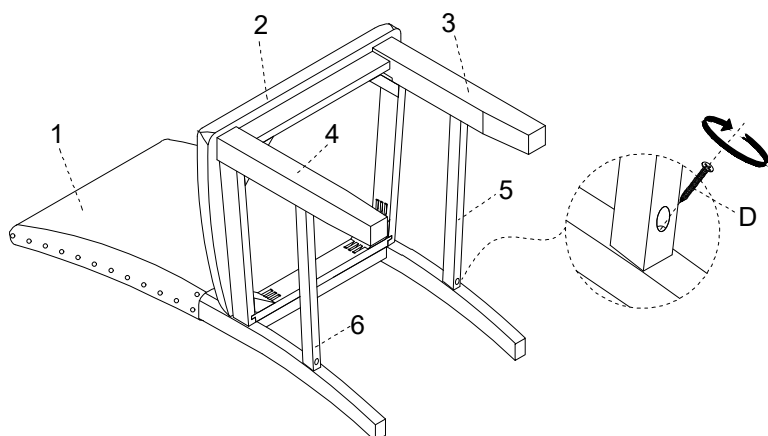
#### STEP 1



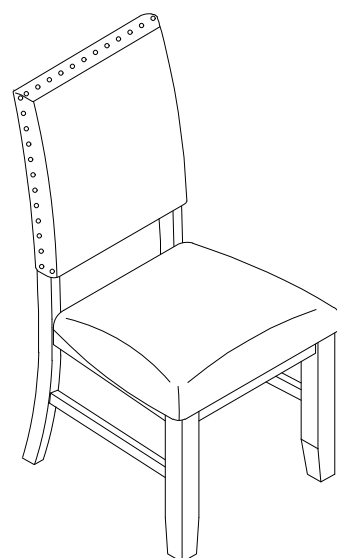
#### STEP 2



#### STEP 3



#### FINISH



**DO NOT TIGHTEN ALL BOLTS UNTIL COMPLETELY ASSEMBLED !**  
**NO APRETER LOS TORNILLOS HASTA ARMAR COMPLETAMENTE**