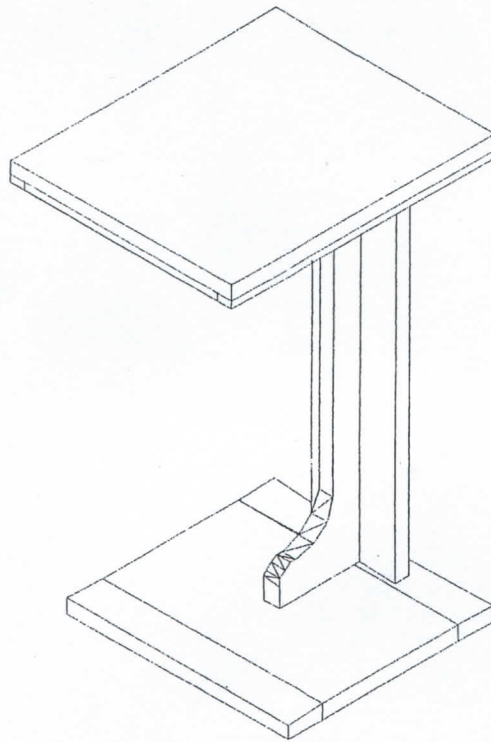


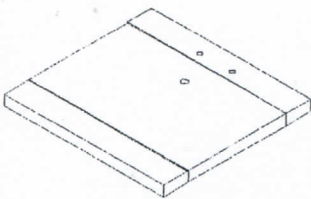


# ASSEMBLY INSTRUCTIONS #2259



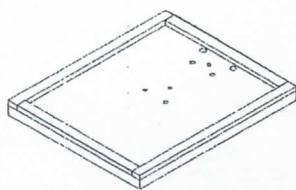
BEFORE YOU START ASSEMBLING.  
PLEASE MAKE SURE ALL PARTS & HARDWARE ARE INCLUDED IN BOX :

Bottom panel



Step 1

Top panel

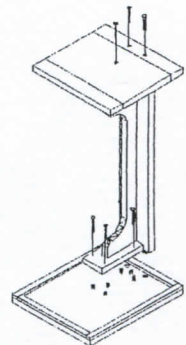


Step 2

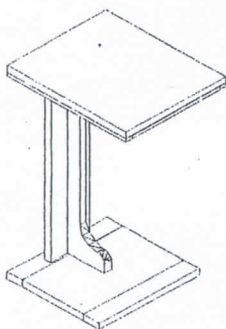
Pedestal



Step 3



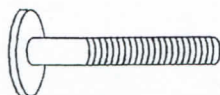
Step 4



Step 1

## HARDWARE

30mm + washer plat M6 ( 7Pcs )



Flat washer plat M6 ( 7Pcs )



Allen Key ( 1Pc )



Dowel Sticks ( 4Pcs )

