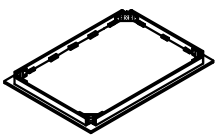
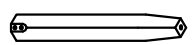




ASSEMBLY INSTRUCTION INSTRUCCIONES

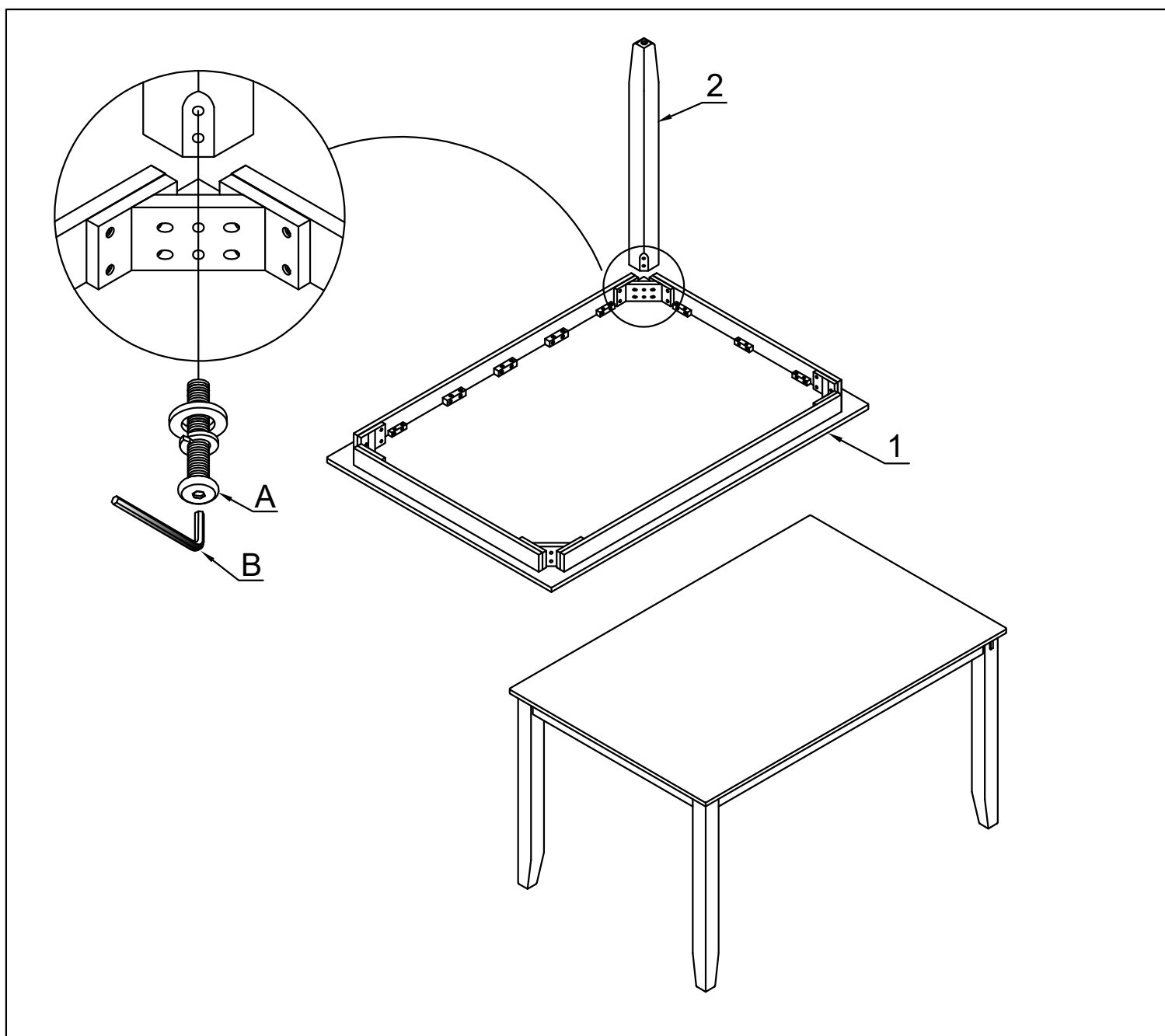
2255LB-SET DINING TABLE 2255LB-SET MESA DE COMEDOR

PARTS LIST LISTA DE PARTES

| | | |
|---|-----------------------------------------------------------------------------------|--------------|
| 1 |  | 1 PC/PIEZA |
| 2 |  | 4 PCS/PIEZAS |

| | | | |
|---|-----------------------------------------------------------------------------------|----------------------------------------------------|--------------|
| A |  | Bolt $\varnothing 5/16'' \times 18 \times 2-3/4''$ | 8 PCS/PIEZAS |
| B |  | Allen key 4*60mm | 1 PC/PIEZA |

ASSEMBLY INSTRUCTION INSTRUCCIONES

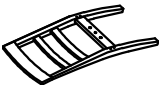

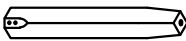







DO NOT TIGHTEN ALL BOLTS UNTIL COMPLETELY ASSEMBLED.
NO APRETER LOS TORNILLOS HASTA ARMAR COMPLETAMENTE.

ASSEMBLY INSTRUCTION INSTRUCCIONES

2255LB-SET DINING CHAIR 2255LB-SET SILLA DE COMEDOR

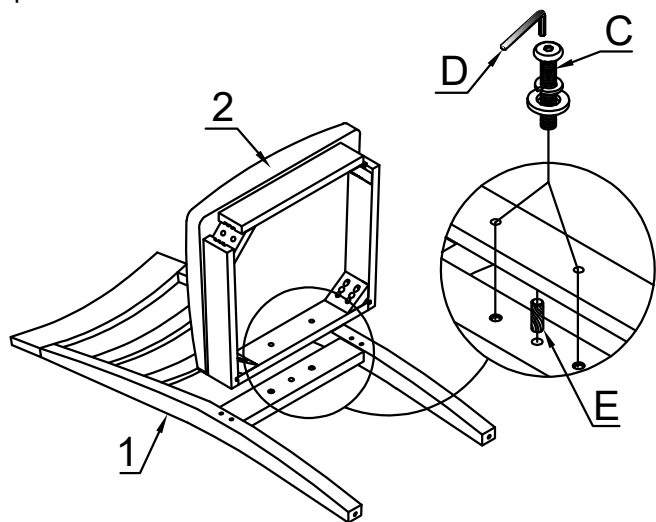
PARTS LIST LISTA DE PARTES

| | | |
|---|-----------------------------------------------------------------------------------|--------------|
| 1 |  | 1 PC/PIEZA |
| 2 |  | 1 PC/PIEZA |
| 3 |  | 2 PCS/PIEZAS |

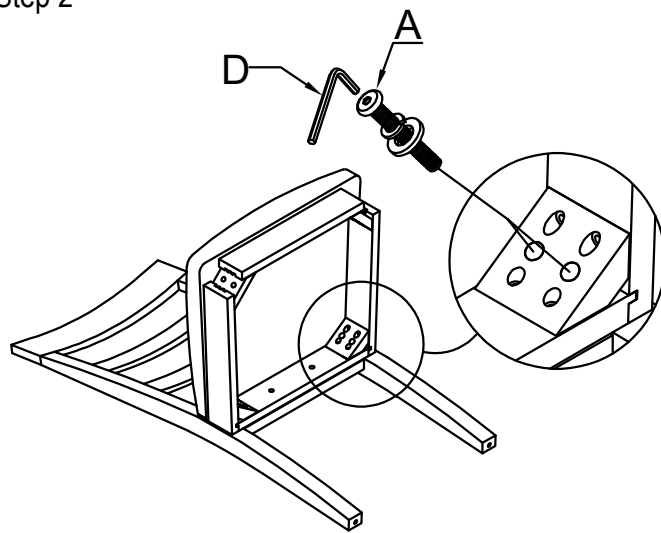
| | | | |
|---|-----------------------------------------------------------------------------------|------------------------------------------------|--------------|
| A |  | Bolt 1/4"*20*3-1/8" (chair back leg corner) | 4 PCS/PIEZAS |
| B |  | Bolt 1/4"*20*2-3/8" (front leg) | 4 PCS/PIEZAS |
| C |  | Bolt 1/4"*20*1-1/2" (chair back center) | 2 PCS/PIEZAS |
| D |  | Allen key 4*60mm | 1 PC/PIEZA |
| E |  | Ø10*25mm | 1 PC/PIEZA |

ASSEMBLY INSTRUCTION INSTRUCCIONES

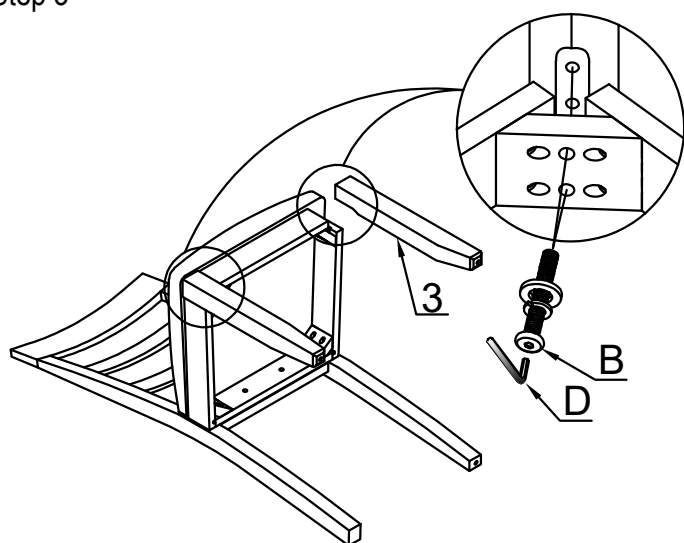
Step 1



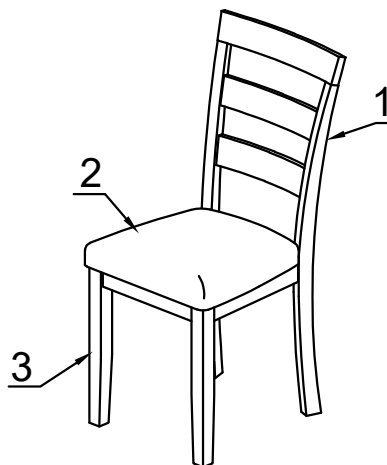
Step 2



Step 3



Step 4



DO NOT TIGHTEN ALL BOLTS UNTIL COMPLETELY ASSEMBLED.
NO APRETER LOS TORNILLOS HASTA ARMAR COMPLETAMENTE.