

ASSEMBLY INSTRUCTION


2158CG / 2158GB / 2158WC -T- TOP DINING TABLE 2158CG / 2158GB / 2158WC -T- LEG DINING TABLE

Thank you for purchasing this quality product. Be sure to check all packing material carefully for small parts which may have come loose inside the carton during shipment. Identify and count all parts and compare with the Parts List below.

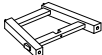

****Assemble the table on flat, soft surface such as carpet or cloth to prevent scratching table finish. Read all the instruction and study the drawings carefully before starting the assemble process.**

Caution : Wipe up spills as soon as possible. Please wipe with dry rag right away.




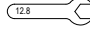


BOX 1: (BOX OF TABLE TOP)

ITEM	DRAWING	DESCRIPTION	QTY
1		TABLE TOP	1

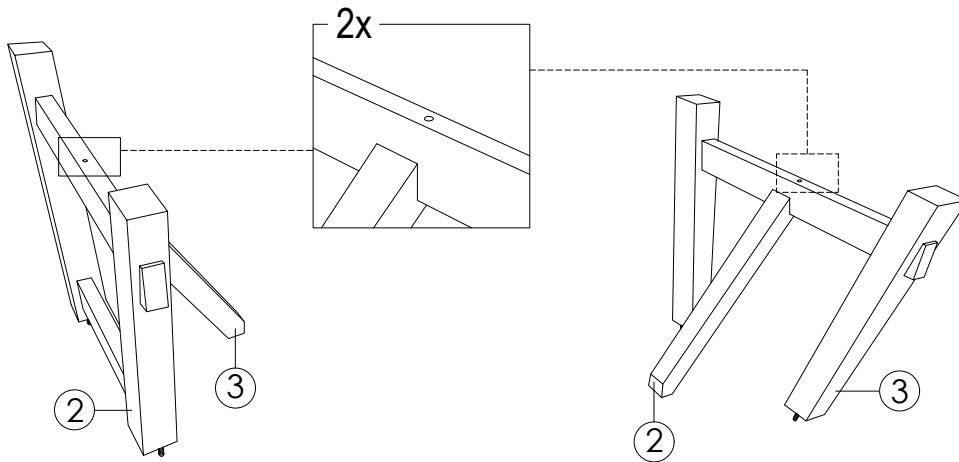
BOX 2: (BOX OF TABLE BASE)

ITEM	DRAWING	DESCRIPTION	QTY
2		TABLE LEG	2
3		LEG SUPPORT RAIL	2

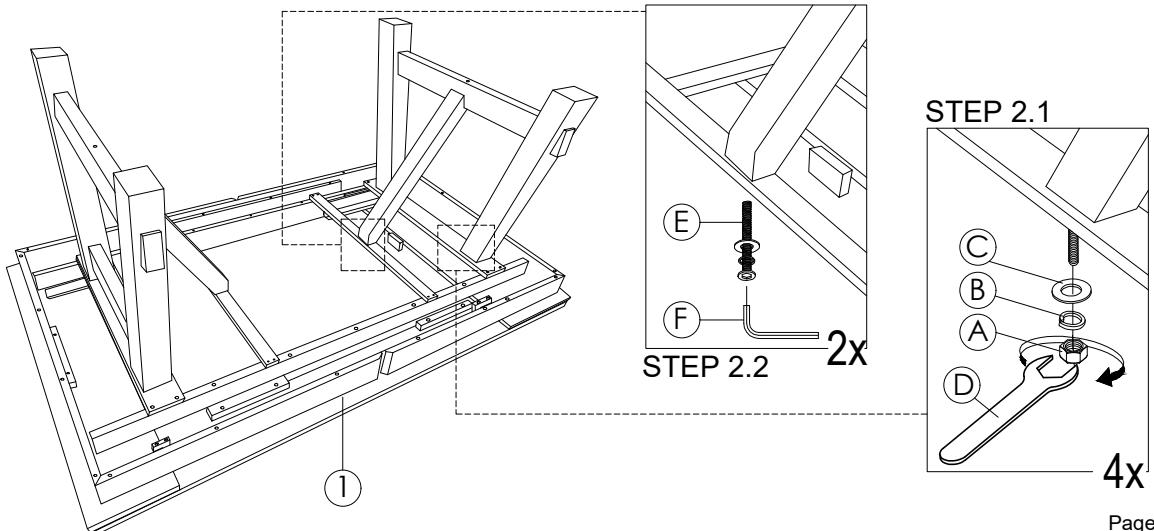
BOX 1: (BOX OF TABLE TOP)
HARDWARE LIST

ITEM	DRAWING	DESCRIPTION	QTY
A		HEX NUT 5/16"	4
B		SPRING WASHER 5/16"	4
C		FLAT WASHER 5/16"	4
D		SPANNER 12.8MM	1
E		JCBB SCREW (NYLOK) M8x70MM WITH LOCK WASHER & WASHER	4
F		ALLEN KEY M5	1

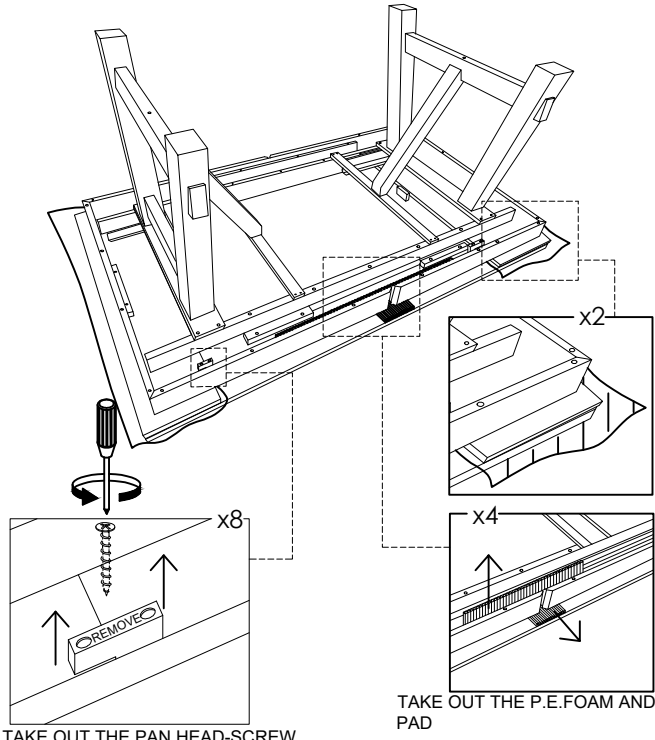
STEP 1



STEP 2



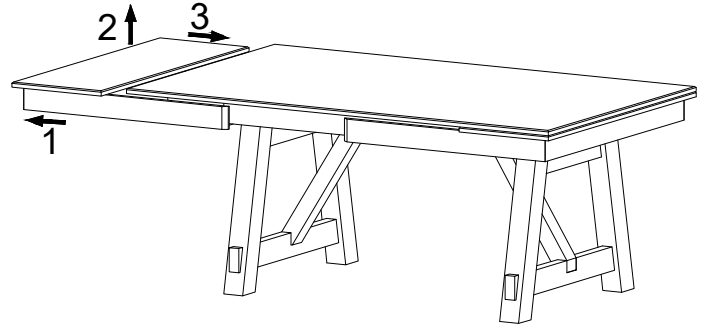
STEP 3



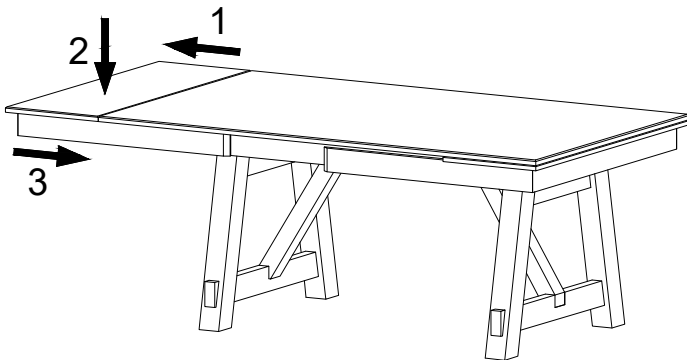
TAKE OUT THE PAN HEAD-SCREW AND WOOD CLIP.
*SCREW DRIVER. (*NOT PROVIDED)

TAKE OUT THE P.E.FOAM AND PAD

STEP 4



STEP 5



COMPLETED ASSEMBLY

