

ASSEMBLY INSTRUCTION


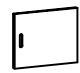

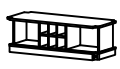
2158CG-SERVER

Thank you for purchasing this quality product. Be sure to check all packing material carefully for small parts which may have come loose inside the carton during shipment. Identify and count all parts and compare with the Parts List below.



**Assemble the server on flat, soft surface such as carpet or cloth to prevent scratching table finish. Read all the instruction and study the drawings carefully before starting the assemble process.

Caution : Wipe up spills as soon as possible. Please wipe with dry rag right away.

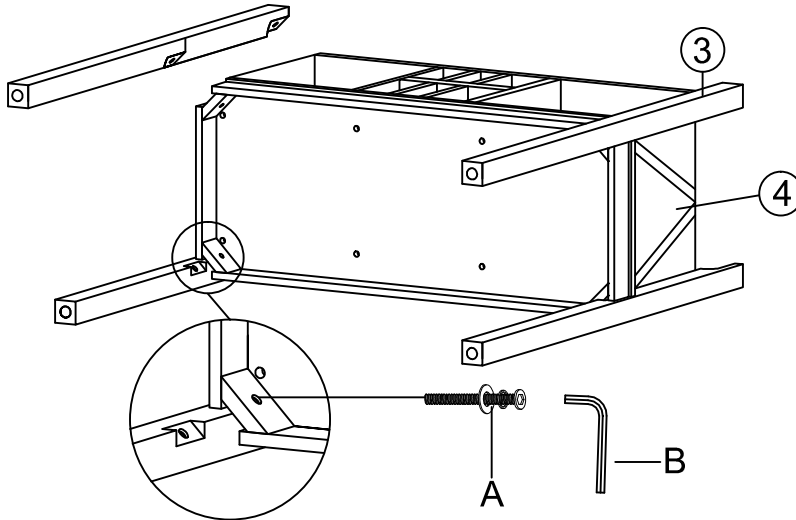
BOX 1: (BOX OF SERVER)

ITEM	DRAWING	DESCRIPTION	QTY
1		TOP PANEL	1
2		DOOR PANEL	2
3		LEG	4
4		BODY	1

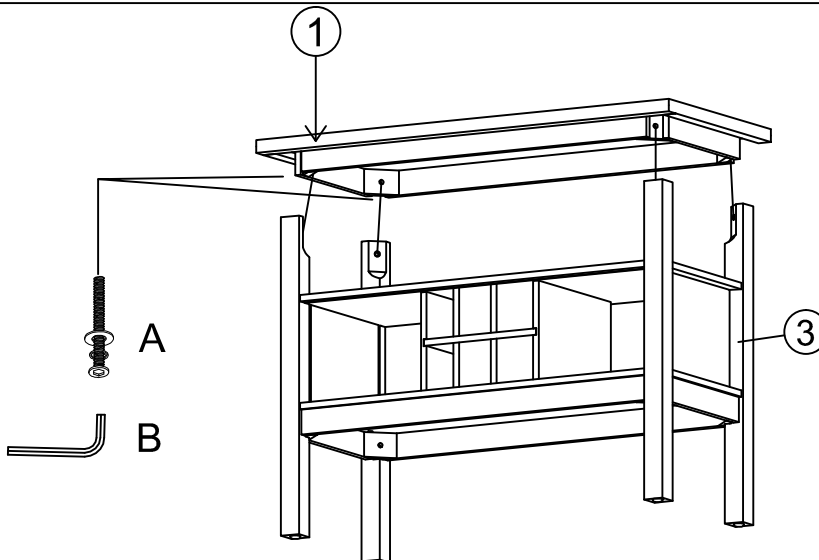
BOX 1: (BOX OF SERVER)
HARDWARE LIST

ITEM	DRAWING	DESCRIPTION	QTY
A		JCBB SCREW 5/16" x 2 1/2" WITH FLAT WASHER AND WASHER	8
B		ALLEN KEY M5	1

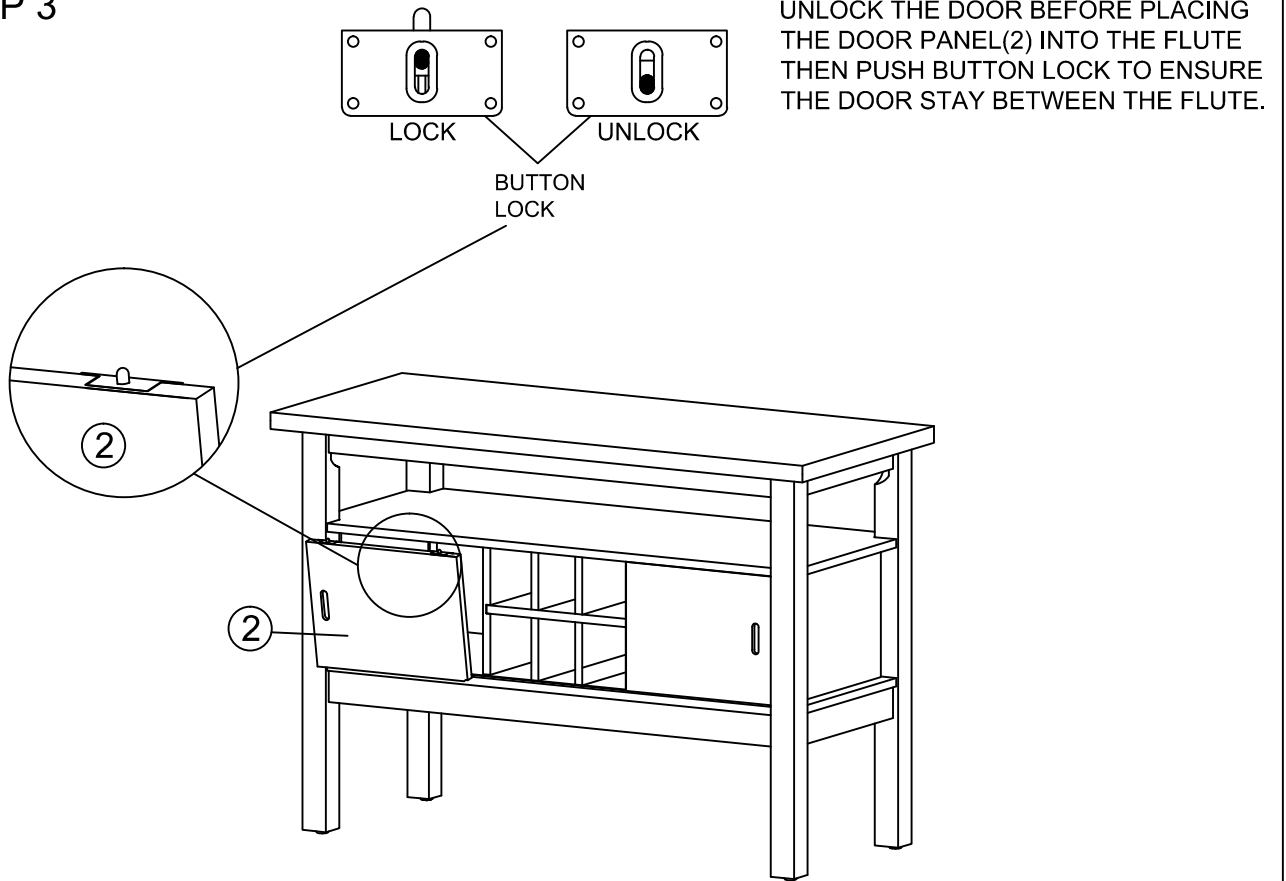
STEP 1



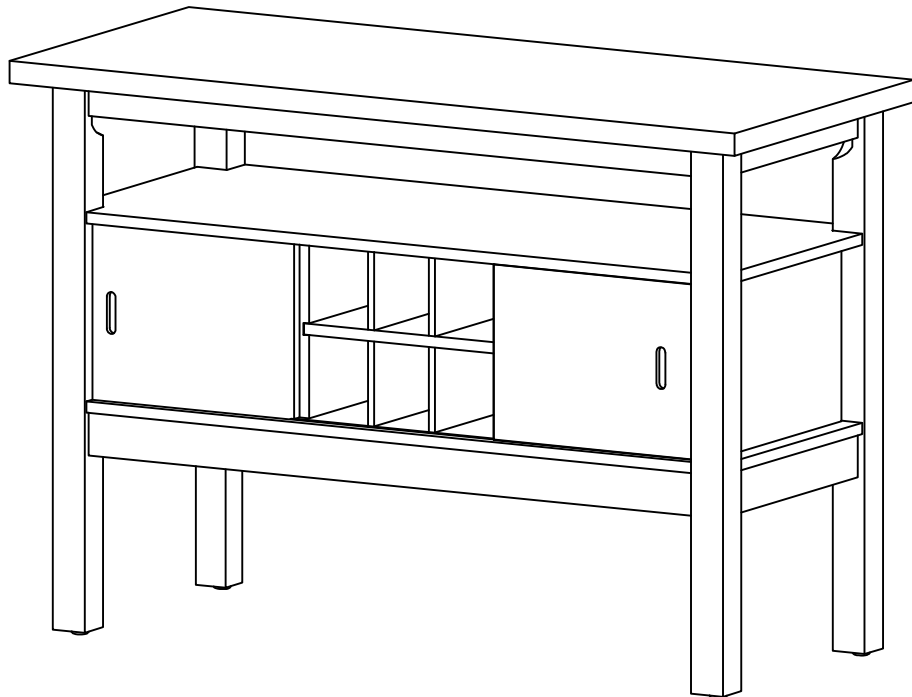
STEP 2



STEP 3



STEP 4



COMPLETED ASSEMBLY