

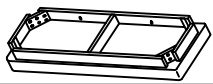
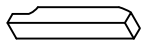
ASSEMBLY INSTRUCTION

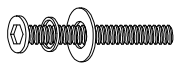

2152 / 2152GY / 2152WC-BENCH

Thank you for purchasing this quality product. Be sure to check all packing material carefully for small parts which may come loose inside the carton during shipment.

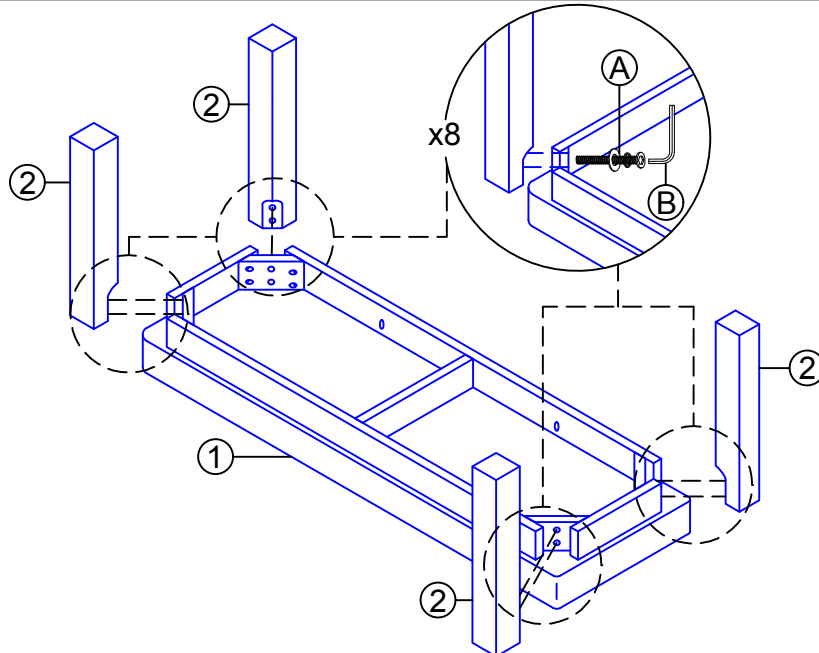
Identify and count all parts.

NOTE: ASSEMBLE THE CHAIR ON A FLAT & SOFT SURFACE. DO NOT TIGHTEN ALL THE SCREWS UNTIL THE CHAIR HAS BEEN PUT A FLAT /HARD SURFACE ADJUST & LEVEL ALL THE LEGS SO THAT THEY DO NOT WOBBLE. ONCE ADJUSTED THEN TIGHTEN ALL THE SCREWS.

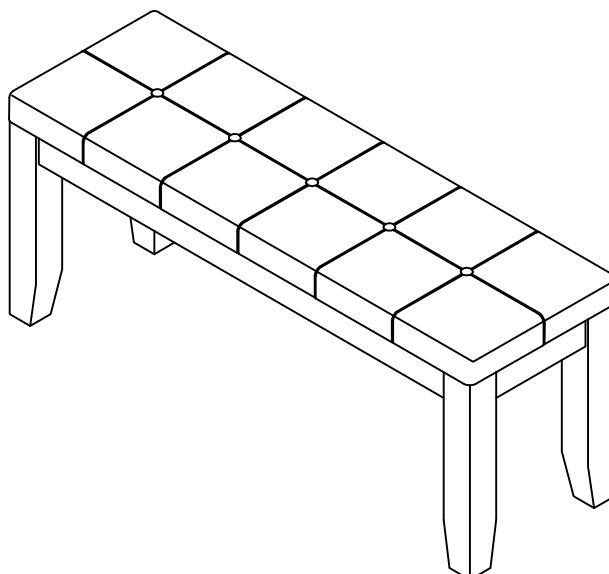
PARTS LIST		
NO	DESCRIPTION	QTY
1	CUSHION SEAT 	1
2	LEG 	4

HARDWARE LIST		
NO	DESCRIPTION	QTY
A	 JCBC SCREW (NYLOK) M6 x 60mm	8
B	 ALLEN KEY M4	1

STEP 1



STEP 2



NOTE: TO ENSURE CHAIR DURABLE AND LONG LASTING, PLEASE CHECK ENTIRE CHAIR PART WHETHER IT'S IN SAFE AND ORDINARY CONDITIONS.