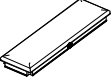








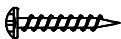
ASSEMBLY INSTRUCTION
INSTRUCCIONES

2146-BENCH DINING BENCH
2146-BENCH BANCA DE COMEDOR

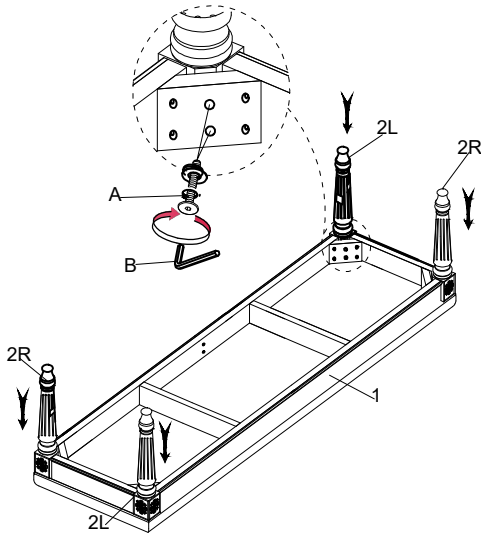
PARTS LIST

1		CUSHION WITH FRAME	1 PCS
2		SIDE LEG	4 PCS 2L/ 2R
3		CENTER LEG	2 PCS
4		SHORT STRETCHER	3 PCS
5		LONG STRETCHER	4 PCS

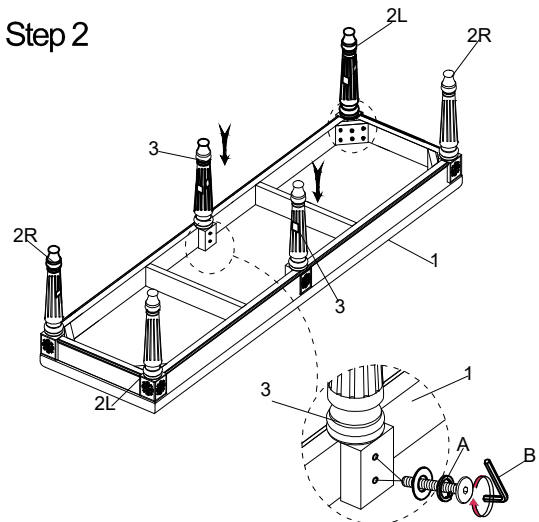
HARDWARE LIST

A		Ø5/16"x18x2"L	12 PCS
B		M5	1PC
C		SCREW #4x45mm	14 PCS

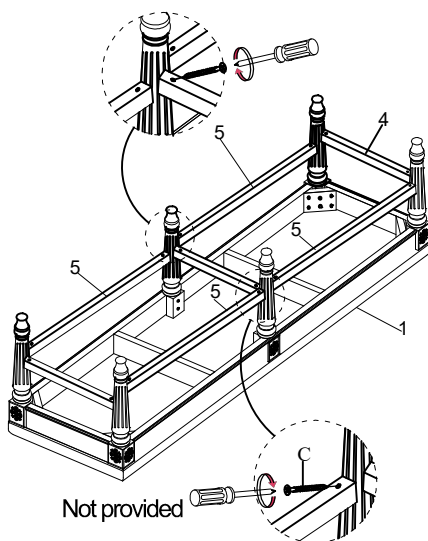
Step 1



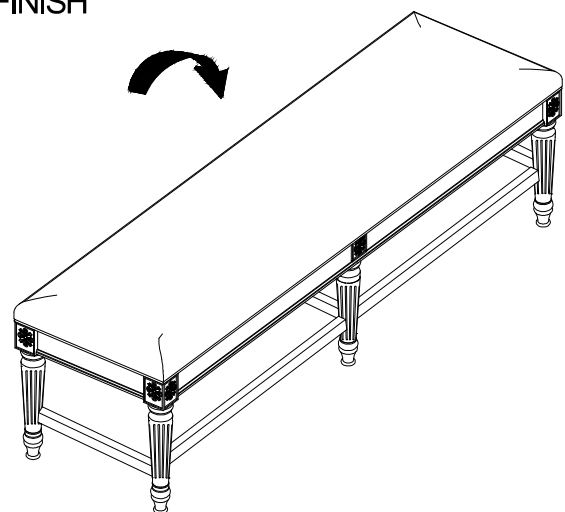
Step 2



Step 3



FINISH



DO NOT TIGHTEN SCREWS UNTIL COMPLETELY ASSEMBLED .
NO APRETAR LOS TORNILLOS HASTA ARMAR COMPLETAMENTE.